

**SUPPLEMENT FOR 6 CYLINDER
ENGINE MODEL**

This service manual has been prepared to provide SUBARU service personnel with the necessary information and data for the correct maintenance and repair of SUBARU vehicles.

This manual includes the procedures for maintenance, disassembling, reassembling, inspection and adjustment of components and diagnostics for guidance of experienced mechanics.

Please peruse and utilize this manual fully to ensure complete repair work for satisfying our customers by keeping their vehicle in optimum condition. When replacement of parts during repair work is needed, be sure to use SUBARU genuine parts.

All information, illustration and specifications contained in this manual are based on the latest product information available at the time of publication approval.

FOREWORD**FW****HOW TO USE THIS MANUAL****HU****SPECIFICATIONS****SPC****PRECAUTION****PC****NOTE****NT****IDENTIFICATION****ID****RECOMMENDED MATERIALS****RM****PRE-DELIVERY INSPECTION****PI****PERIODICAL MAINTENANCE****PM**

**SUPPLEMENT FOR 6 CYLINDER
ENGINE MODEL****FUEL INJECTION (FUEL SYSTEMS) FU(H6)****EMISSION CONTROL
(AUX. EMISSION CONTROL DEVICES) EC(H6)****INTAKE (INDUCTION) IN(H6)****MECHANICAL ME(H6)****EXHAUST EX(H6)****COOLING CO(H6)****LUBRICATION LU(H6)****SPEED CONTROL SYSTEMS SP(H6)****IGNITION IG(H6)****START/CHARGING SYSTEMS SC(H6)****ENGINE (DIAGNOSTICS) EN(H6)****REAR SUSPENSION RS****WIRING SYSTEM WI**

WIRING SYSTEM



	Page
1. Basic Diagnostics Procedure	3
2. Working Precautions	13
3. Super Multiple Junction (SMJ)	14
4. Power Supply Routing.....	17
5. Ground Distribution	32
6. Airbag System	41
7. Air Conditioning System.....	45
8. Anti-lock Brake System.....	66
9. A/T Control System	73
10. Audio System	95
11. Charging System.....	100
12. Combination Meter.....	101
13. Cruise Control System	107
14. Door Lock System.....	120
15. Engine Coolant Temperature Gauge System	124
16. Engine Electrical System	125
17. Fuel Gauge System	181
18. Full-Time Dual-Range System	184
19. Front Accessory Power Supply System.....	185
20. Headlight Beam Leveler System.....	186
21. Horn System.....	187
22. Immobilizer System	188
23. Keyless Entry System	192
24. Back-up Light System	198
25. Clearance Light and Illumination Light System	199
26. Front Fog Light System.....	206
27. Headlight System	209
28. In Compartment Light System.....	211
29. Stop Light System	217
30. Turn Signal Light and Hazard Light System.....	219
31. Oil Pressure Warning Light System.....	223
32. Outside Temperature Display System.....	224
33. Parking Brake and Brake Fluid Level Warning System.....	225
34. Pneumatic (Air) Suspension System	226
35. Power Seat System.....	234
36. Power Window System	235
37. Radiator Fan System	244
38. Rear Accessory Power Supply System	247
39. Rear Fog Light System	248
40. Rear Window Defogger System.....	249
41. Remote Controlled Rearview Mirror System	250
42. Seat Belt Warning System	252
43. Seat Heater System.....	254
44. Starter System.....	255

GENERAL DIAGNOSTIC TABLE

45.	Sunroof System.....	256
46.	Vehicle Dynamic Control System.....	257
47.	Wiper and Washer System (Front)	273
48.	Wiper and Washer System (Rear).....	275
49.	Wiper Deicer System	277
50.	Overall Systems	278
51.	Front Wiring Harness	282
52.	Bulkhead Wiring Harness (In Engine Room).....	288
53.	Bulkhead Wiring Harness (In Compartment).....	296
54.	Engine Wiring Harness and Transmission Cord.....	305
55.	Instrument Panel Wiring Harness	309
56.	Rear Wiring Harness.....	313
57.	Door Cord.....	321
58.	Rear Wiring Harness and Trunk Lid Cord	325
59.	Rear Wiring Harness and Rear Gate Cord.....	327

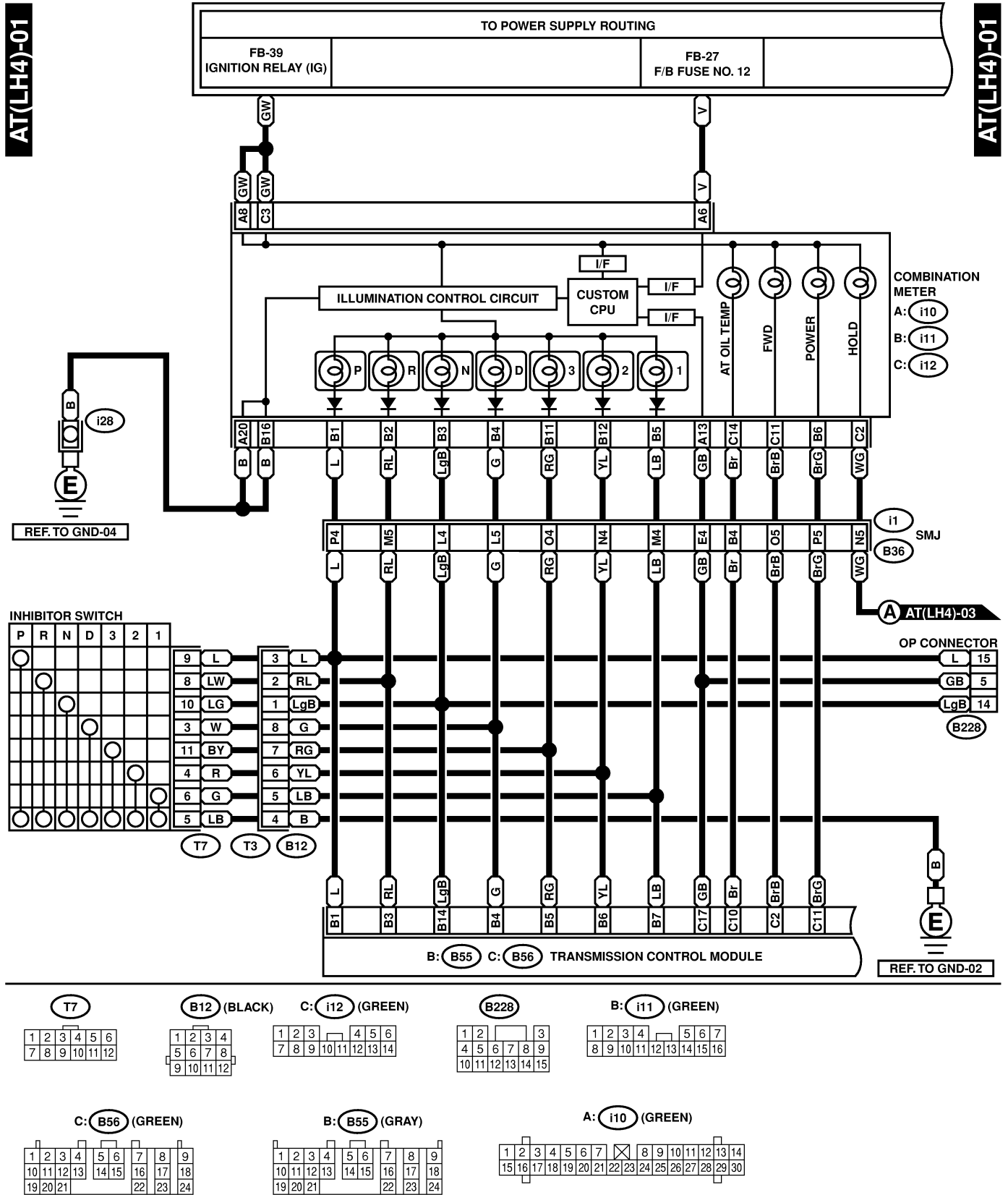
9. A/T Control System S903485

A: SCHEMATIC S903485A21

A/T CONTROL SYSTEM

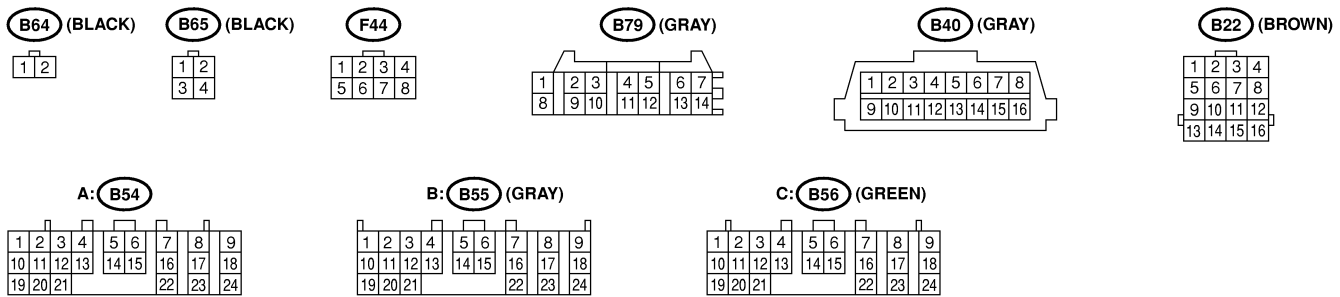
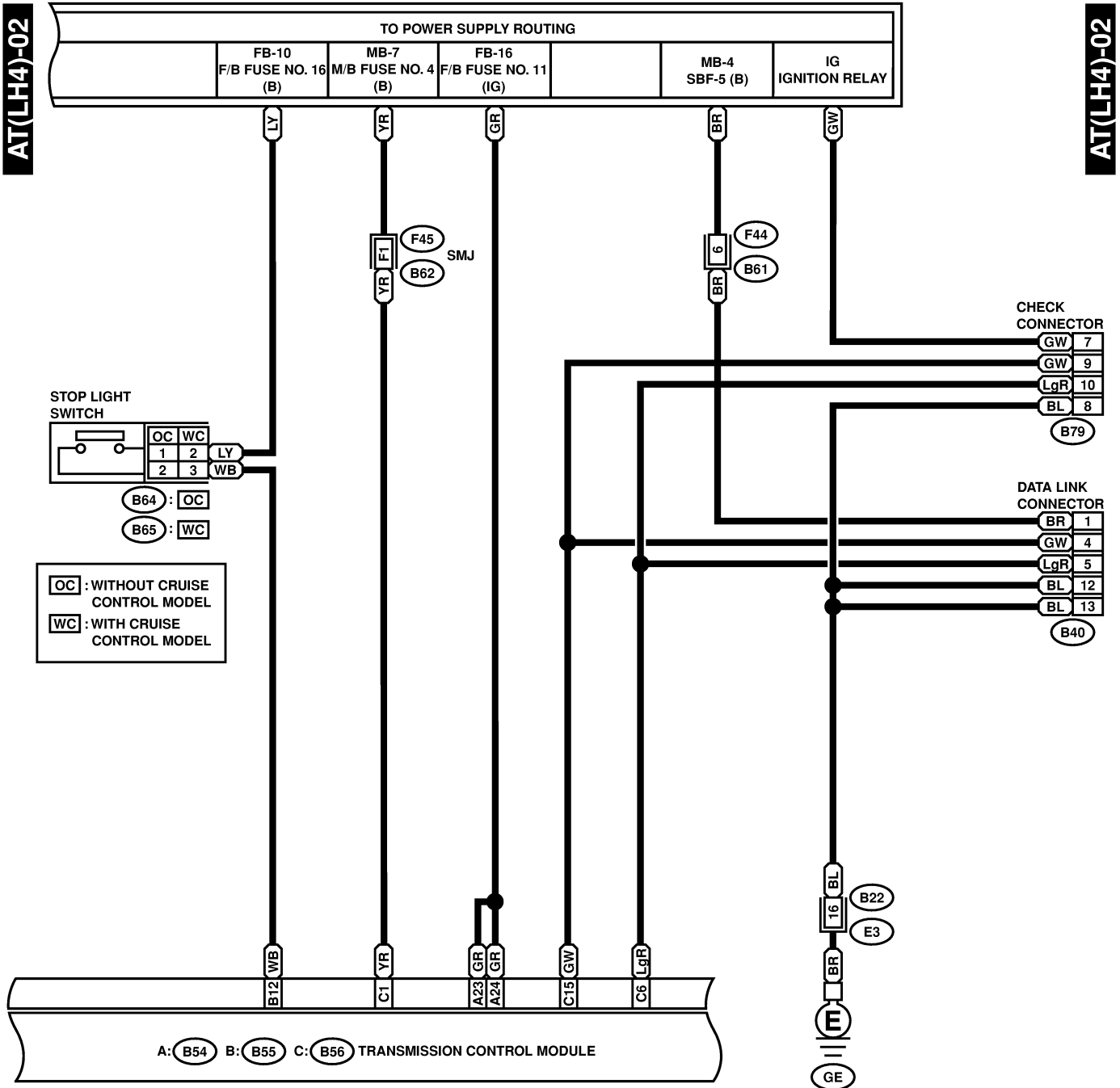
Wiring System

1. LHD-H4 MODEL S903485A2106



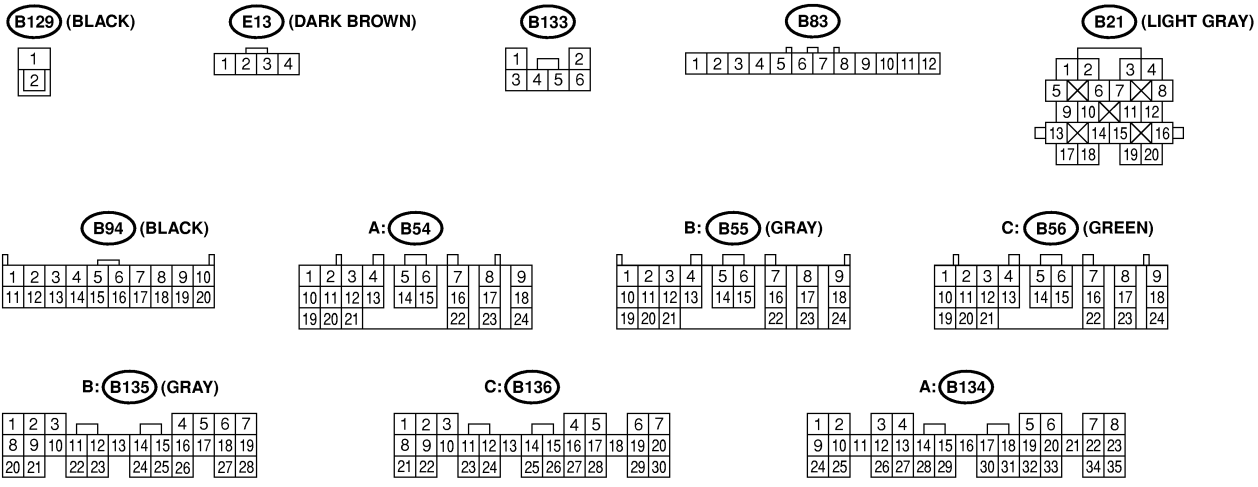
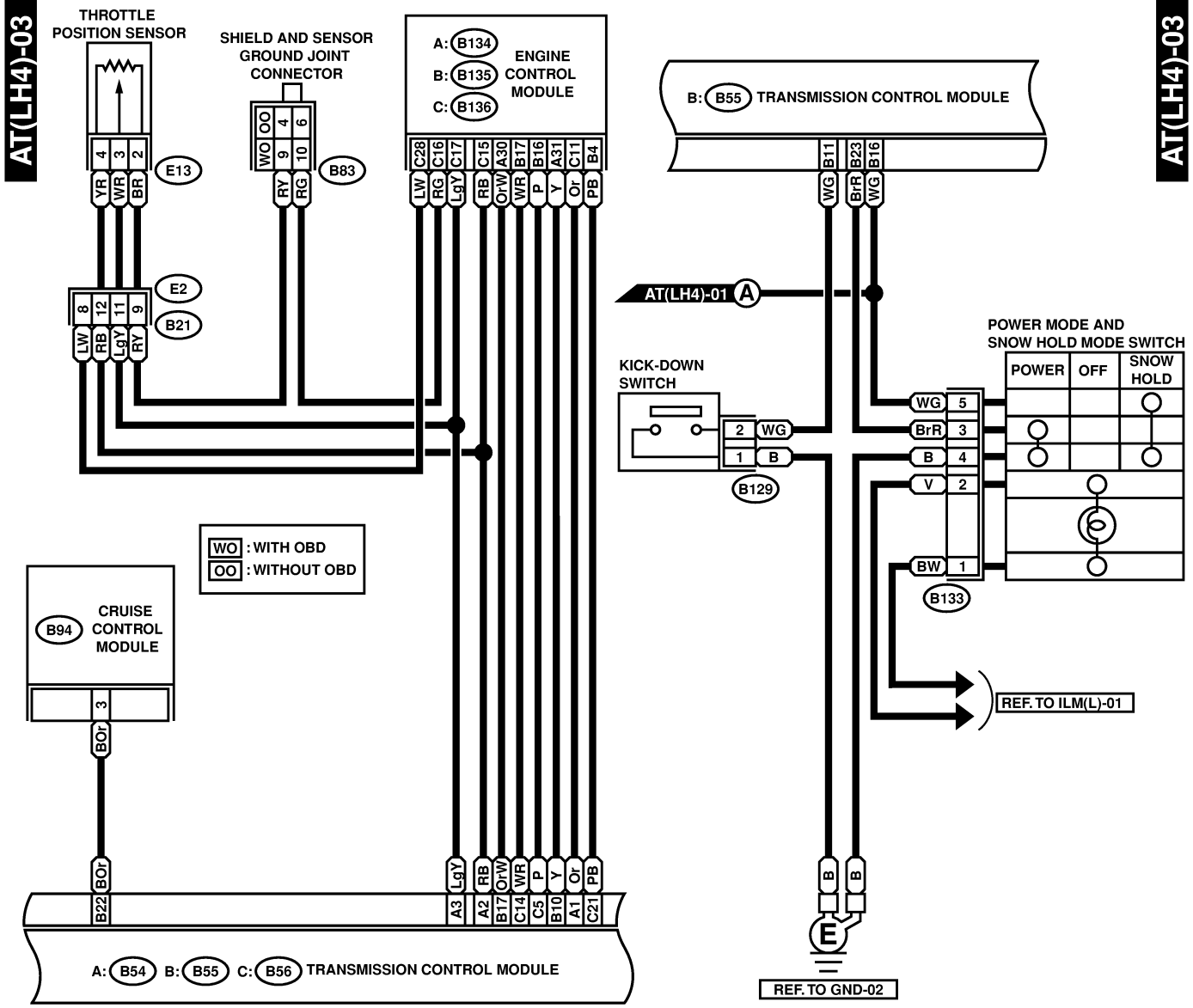
A/T CONTROL SYSTEM

Wiring System



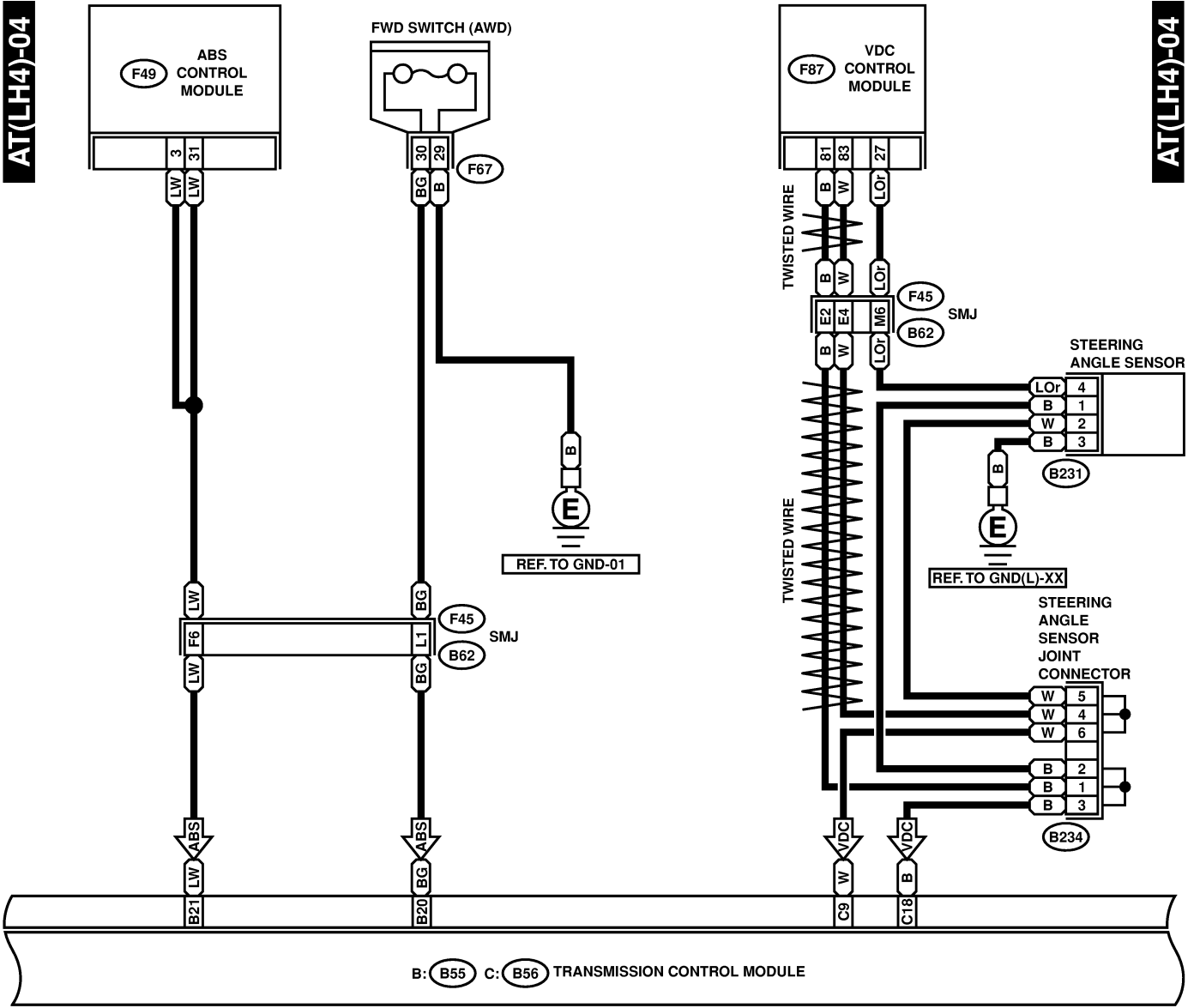
A/T CONTROL SYSTEM

Wiring System



A/T CONTROL SYSTEM

Wiring System



B231 (BLACK)

1	2	3	4
---	---	---	---

B234

1	2	3	4	5	6
---	---	---	---	---	---

B: B55 (GRAY)

1	2	3	4	5	6	7	8	9
10	11	12	13	14	15	16	17	18
19	20	21				22	23	24

C: B56 (GREEN)

1	2	3	4	5	6	7	8	9
10	11	12	13	14	15	16	17	18
19	20	21				22	23	24

F67

1	2	5	6	9	13	14	17	21	22	25	29
3	4	7	10	15	18	23	26				
		8	11	12	16	19	20	24	27	28	30

RELAY HOLDER (BLACK)

F49 (BLACK)

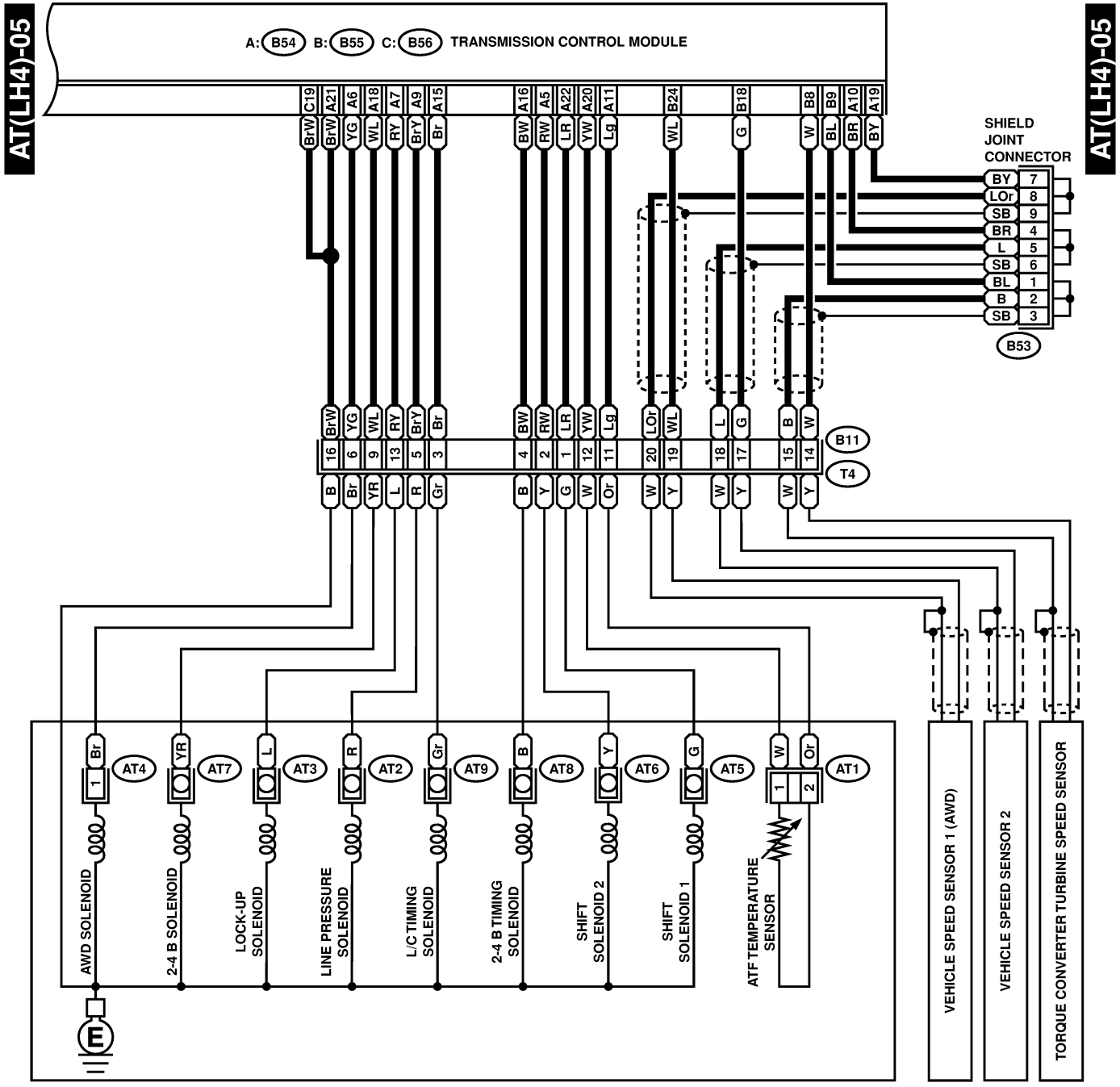
1	2	3	4	5	6	7	8	9	10	11	12	13	14	15
16	17	18	19	20	21	22								
23	24	25	26	27	28	29	30	31						

F87 (BLACK)

1	2	3	4	5	6	7	8	9	10	11	12	13	14	15	16	17	18	19	20	21	22	23	24	25	26	27	28
29	30	31	32	33	34	35	36	37	38	39	40	41	42	43	44	45	46	47	48	49	50	51	52	53	54	55	
56	57	58	59	60	61	62	63	64	65	66	67	68	69	70	71	72	73	74	75	76	77	78	79	80	81	82	83

A/T CONTROL SYSTEM

Wiring System



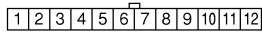
AT4 (BROWN)



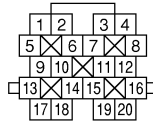
AT1 (GRAY)



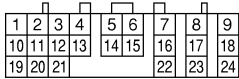
B53



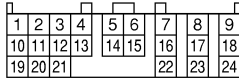
B11 (BLACK)



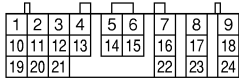
A: B54



B: B55 (GRAY)



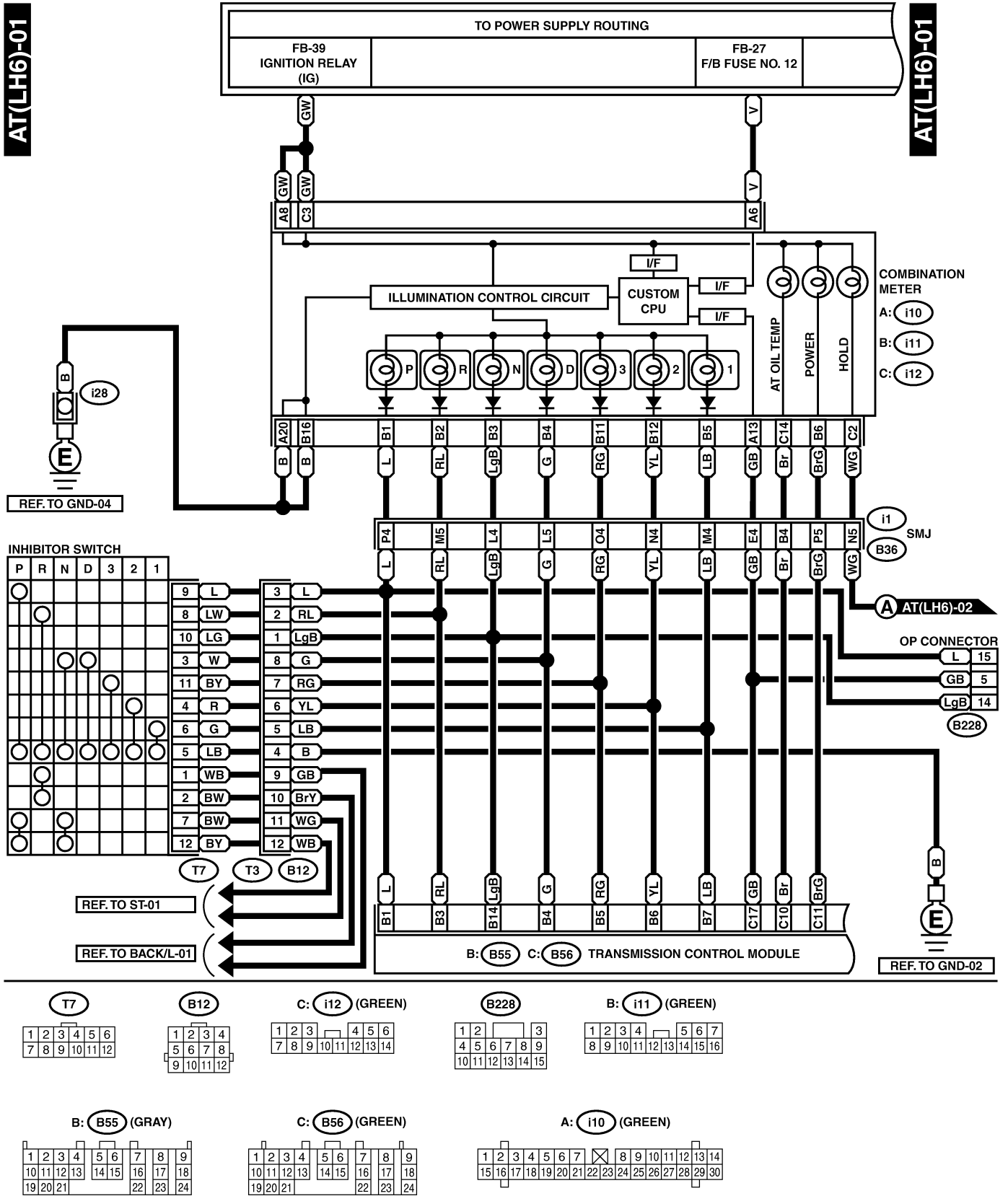
C: B56 (GREEN)



A/T CONTROL SYSTEM

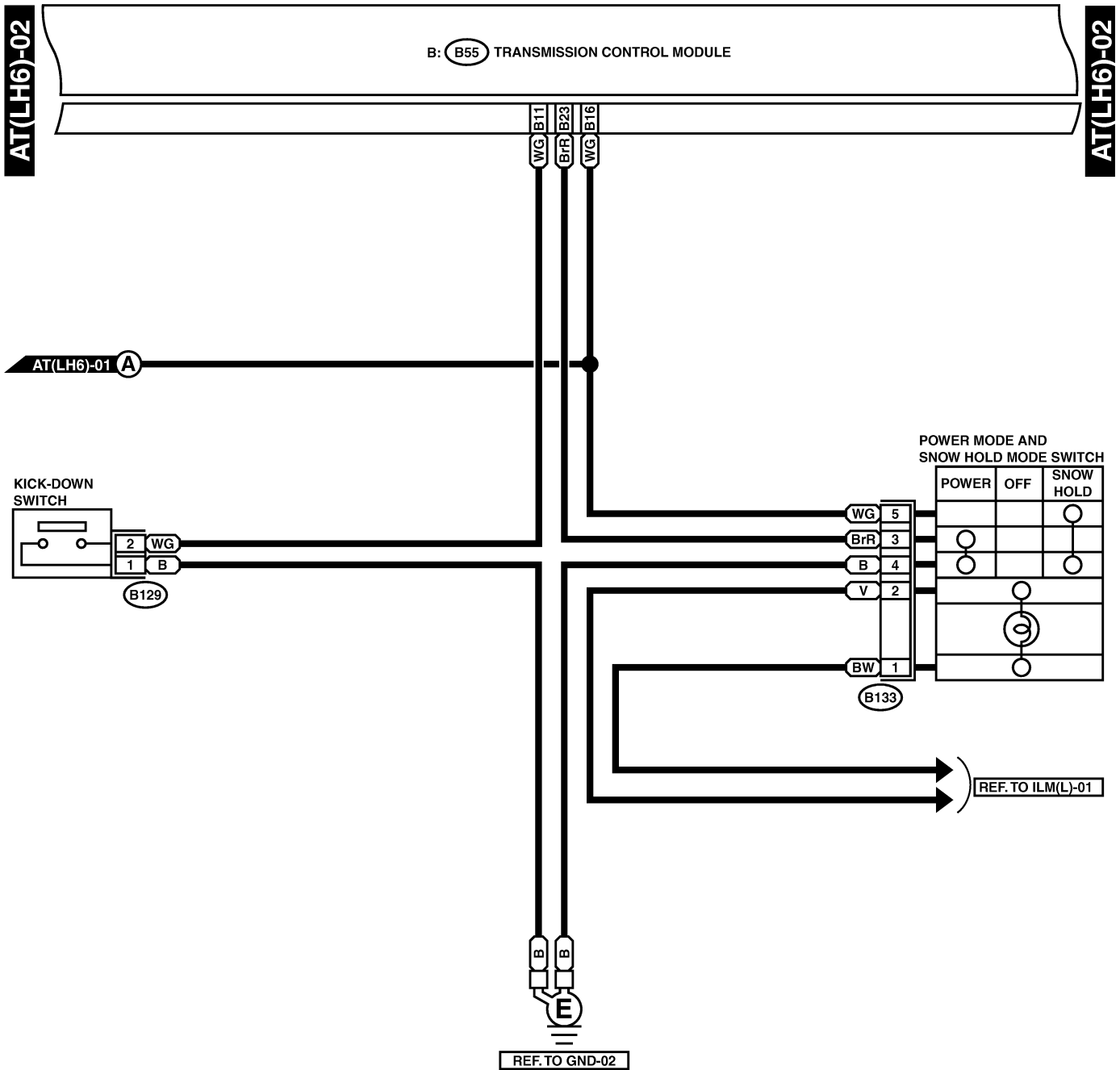
Wiring System

2. LHD-H6 MODEL S903485A2107



A/T CONTROL SYSTEM

Wiring System



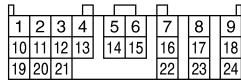
B129 (BLACK)



B133

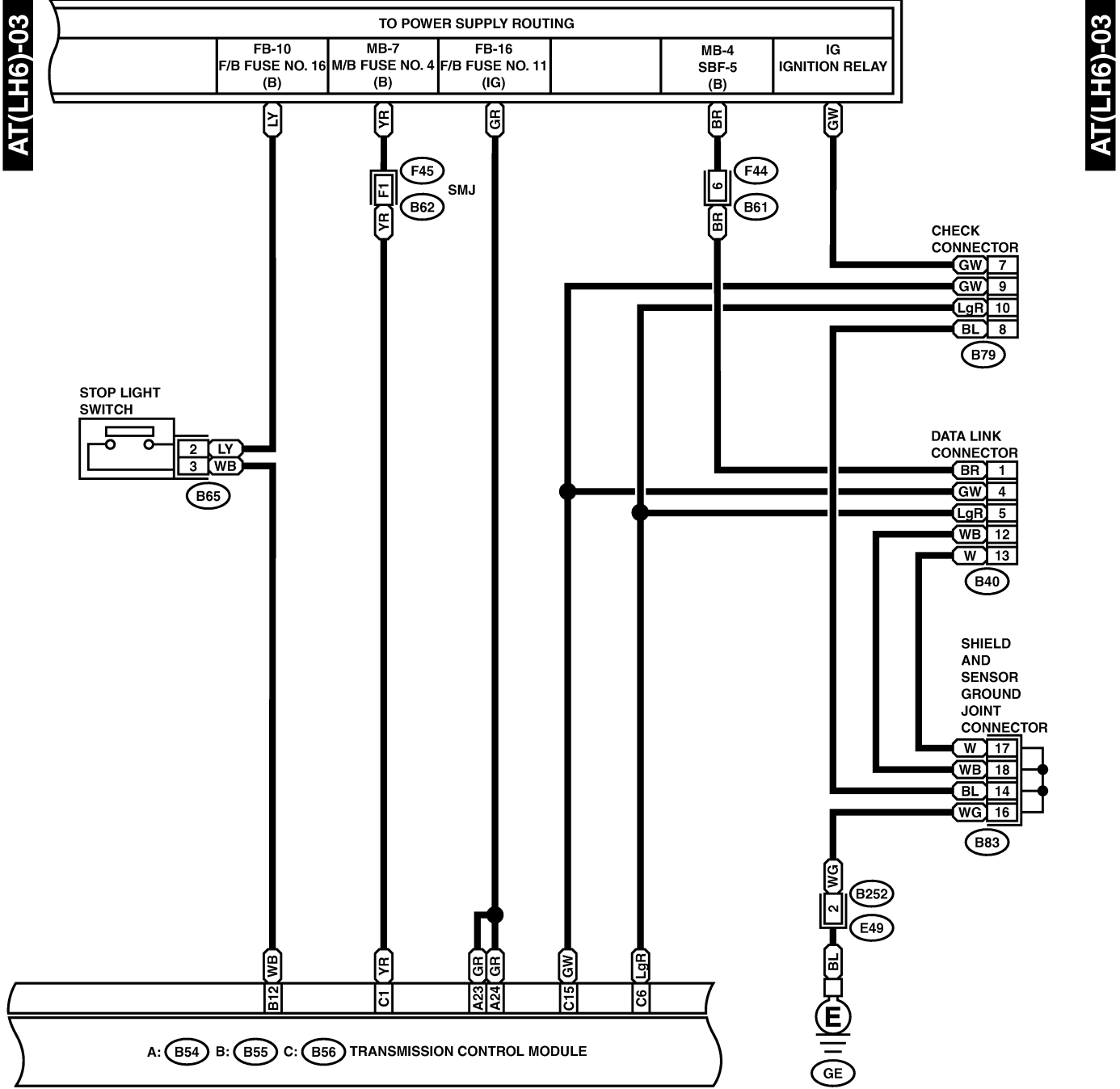


B: B55 (GRAY)



A/T CONTROL SYSTEM

Wiring System



B65 (BLACK)



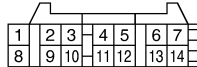
B252 (DARK GRAY)



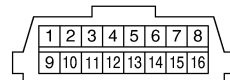
F44



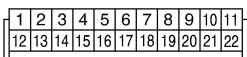
B79 (GRAY)



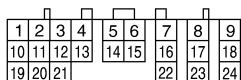
B40 (GRAY)



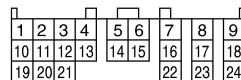
B83



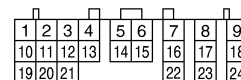
A: B54



B: B55 (GRAY)

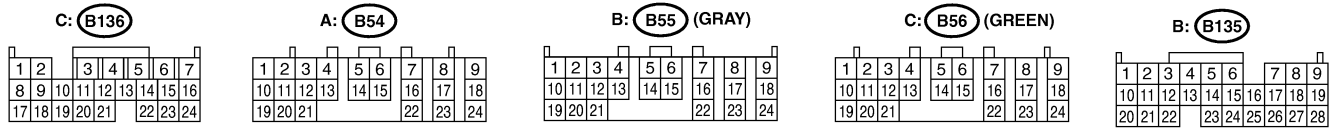
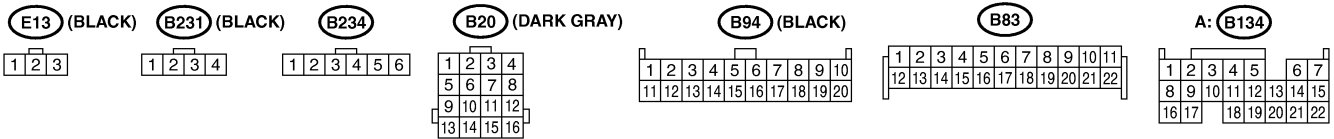
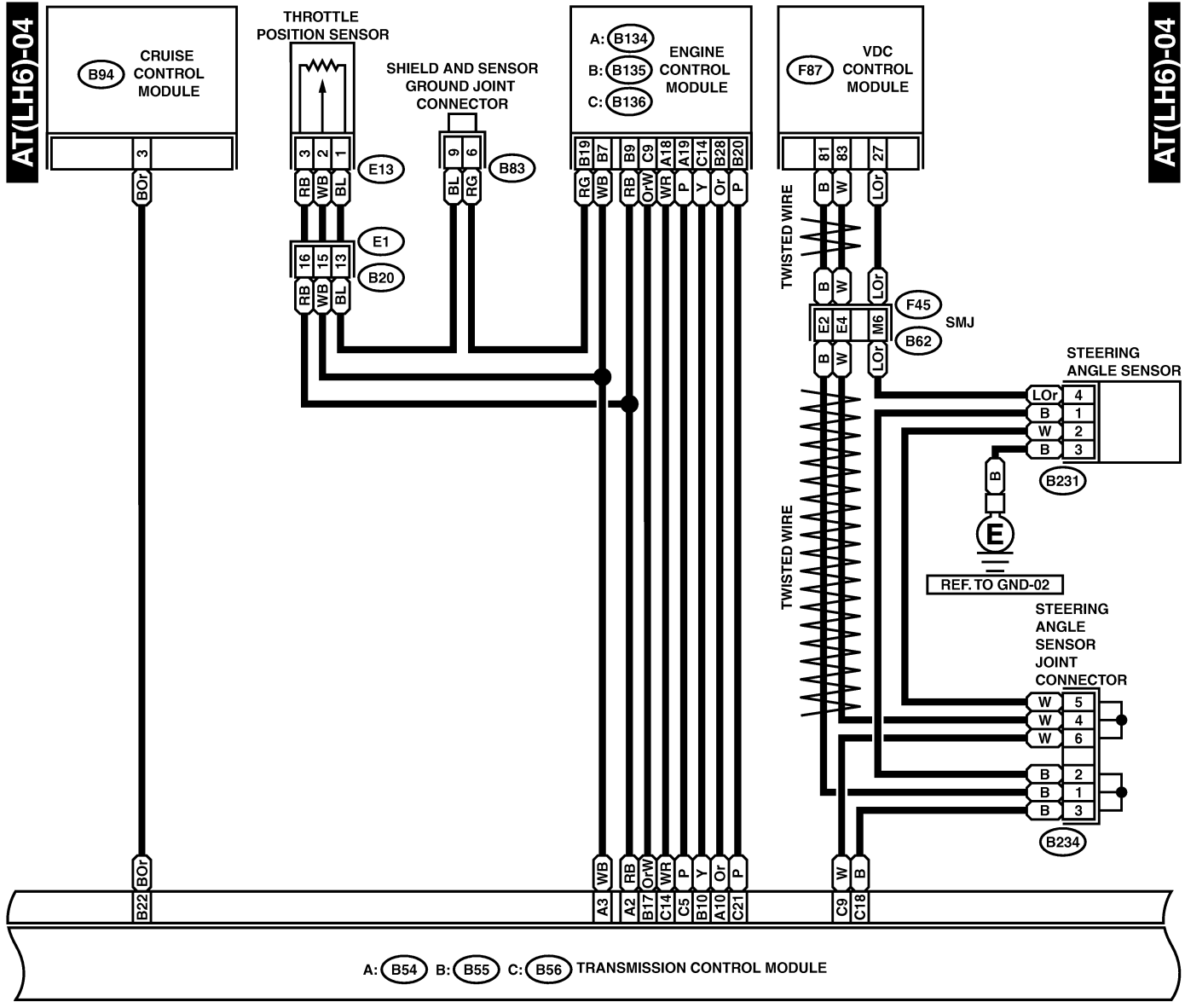


C: B56 (GREEN)

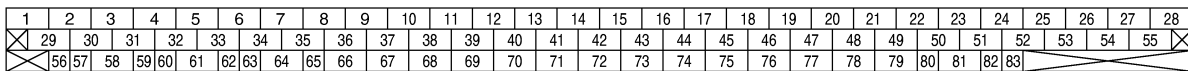


A/T CONTROL SYSTEM

Wiring System



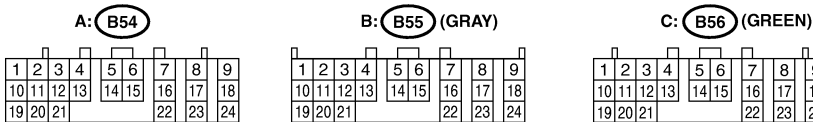
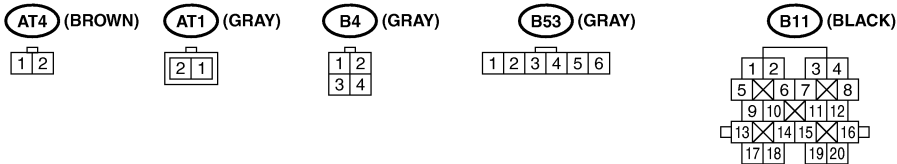
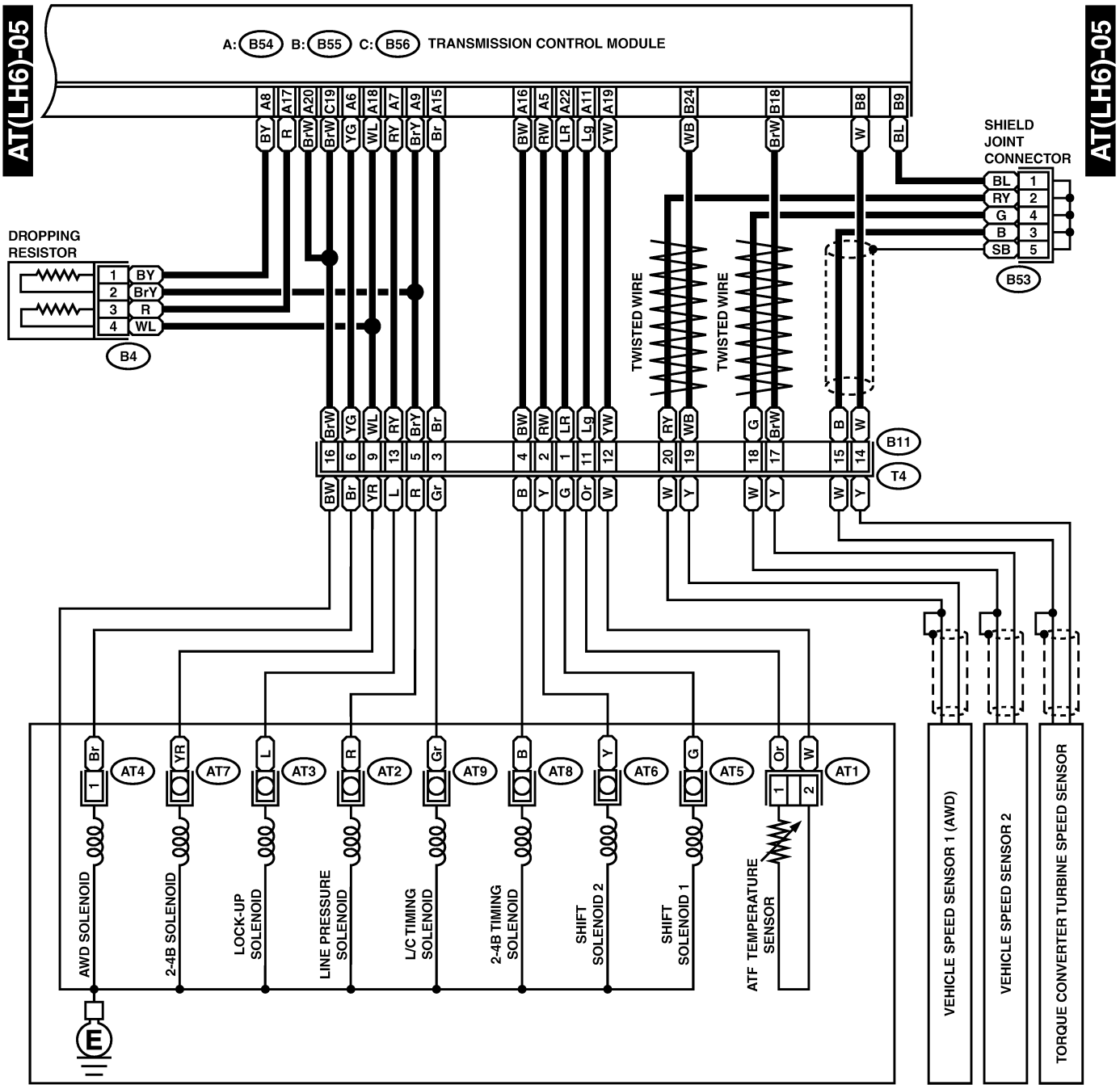
F87 (BLACK)



BL41-24D

A/T CONTROL SYSTEM

Wiring System



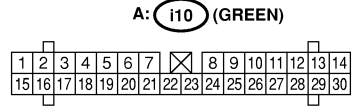
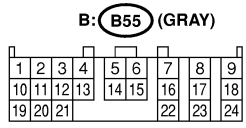
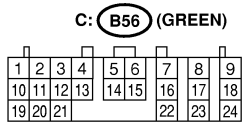
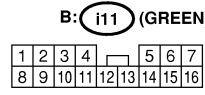
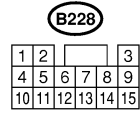
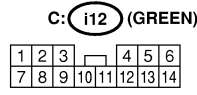
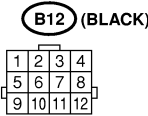
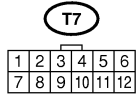
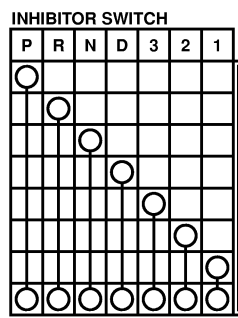
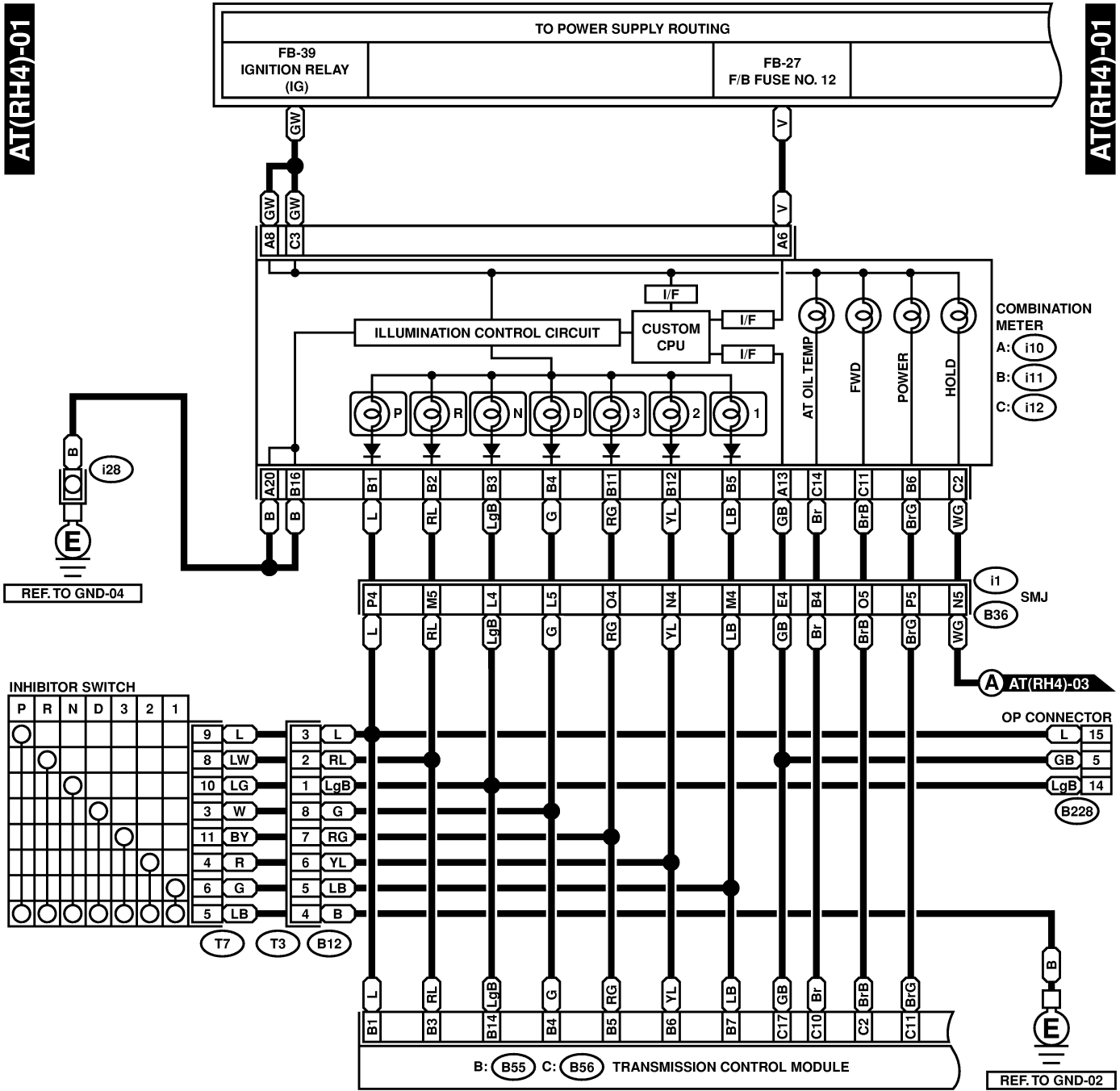
A/T CONTROL SYSTEM

Wiring System

3. RHD-H4 MODEL S903485A2108

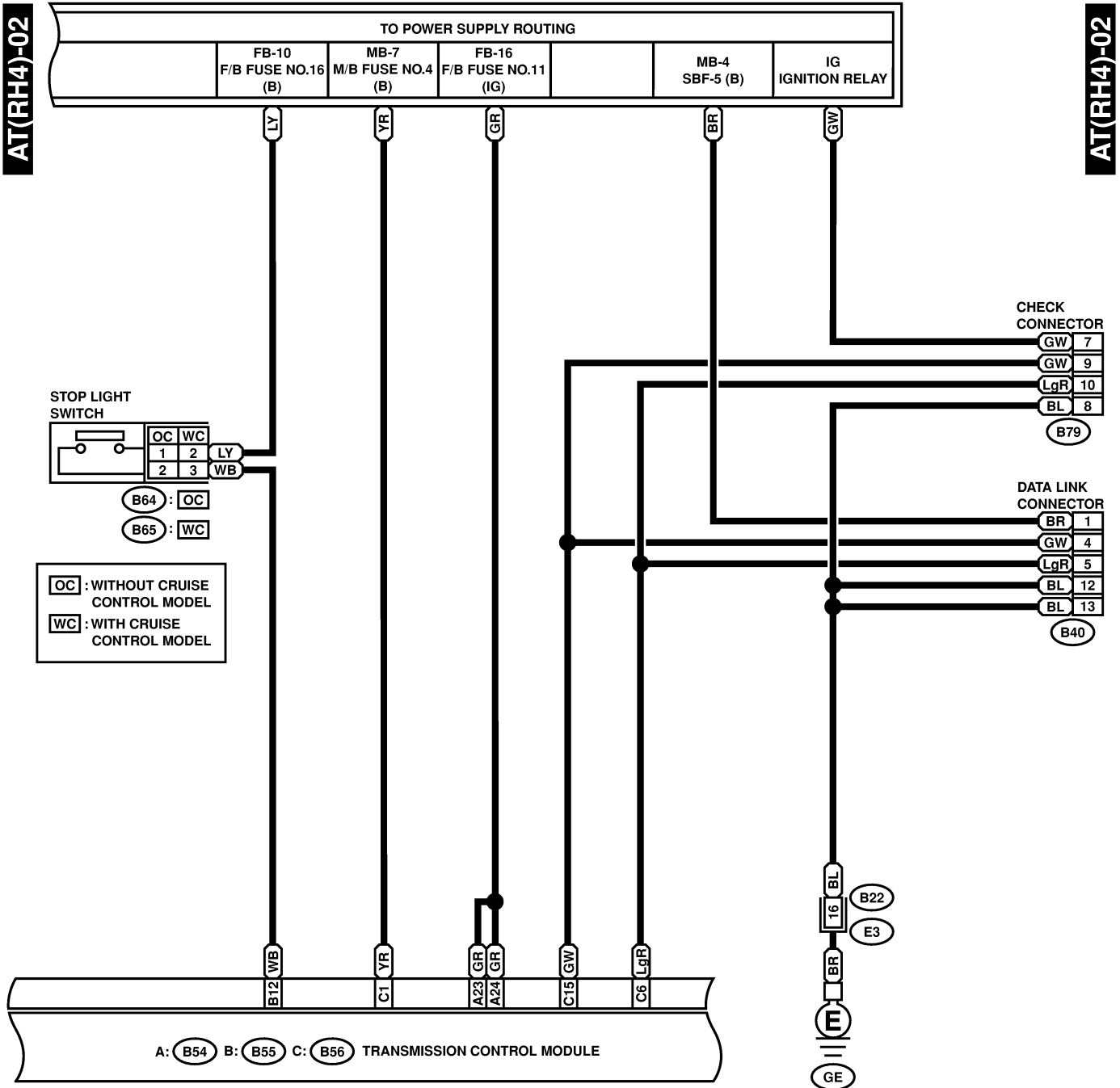
AT(RH4)-01

AT(RH4)-01



A/T CONTROL SYSTEM

Wiring System



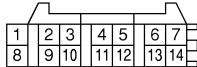
B64 (BLACK)



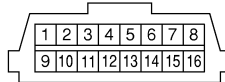
B65 (BLACK)



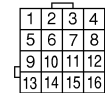
B79 (GRAY)



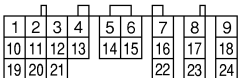
B40 (GRAY)



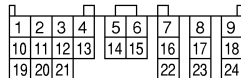
B22 (BROWN)



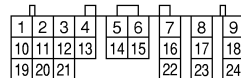
A: B54



B: B55 (GRAY)

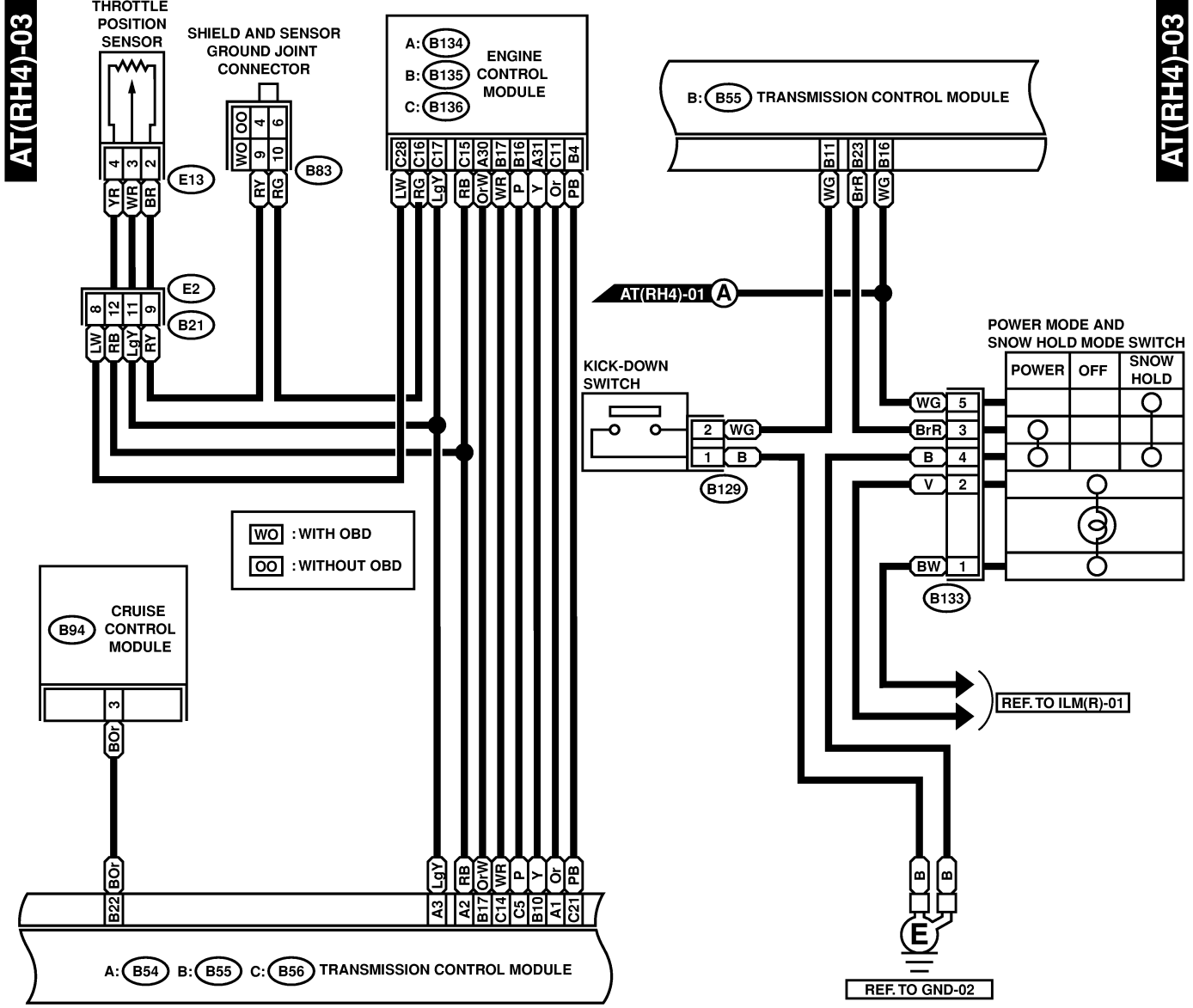


C: B56 (GREEN)

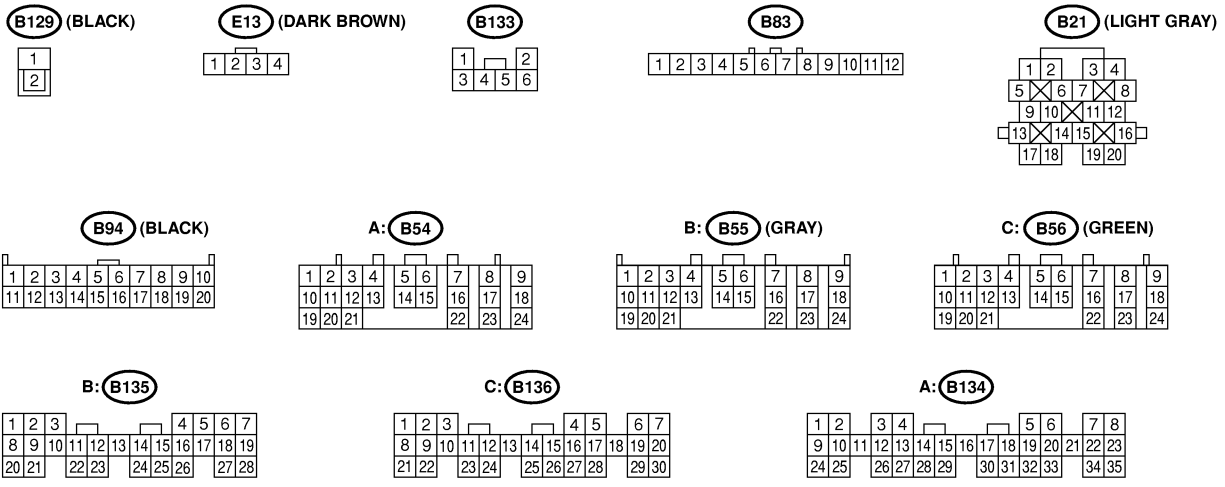


A/T CONTROL SYSTEM

Wiring System

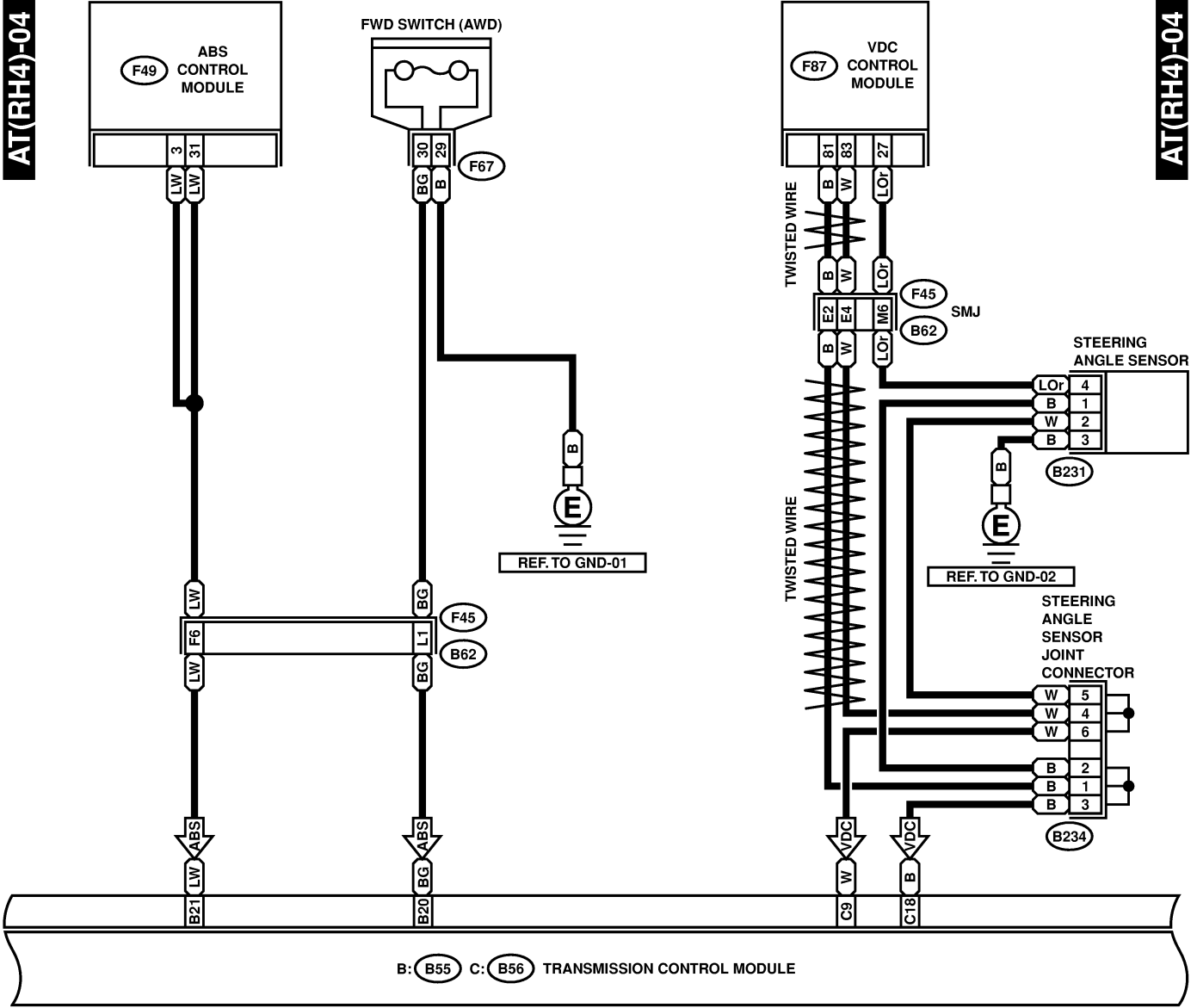


AT(RH4)-03



A/T CONTROL SYSTEM

Wiring System



B231 (BLACK)

1	2	3	4
---	---	---	---

B234

1	2	3	4	5	6
---	---	---	---	---	---

B: B55 (GRAY)

1	2	3	4	5	6	7	8	9
10	11	12	13	14	15	16	17	18
19	20	21				22	23	24

C: B56 (GREEN)

1	2	3	4	5	6	7	8	9
10	11	12	13	14	15	16	17	18
19	20	21				22	23	24

F67

1	2	5	6	9	13	14	17	21	22	25	29						
3	4	7	8	10	11	12	15	16	18	19	20	23	24	26	27	28	30

RELAY HOLDER (BLACK)

F49 (BLACK)

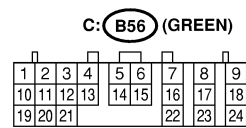
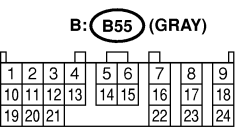
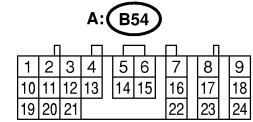
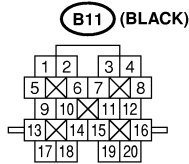
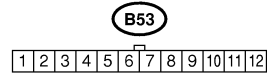
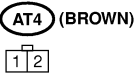
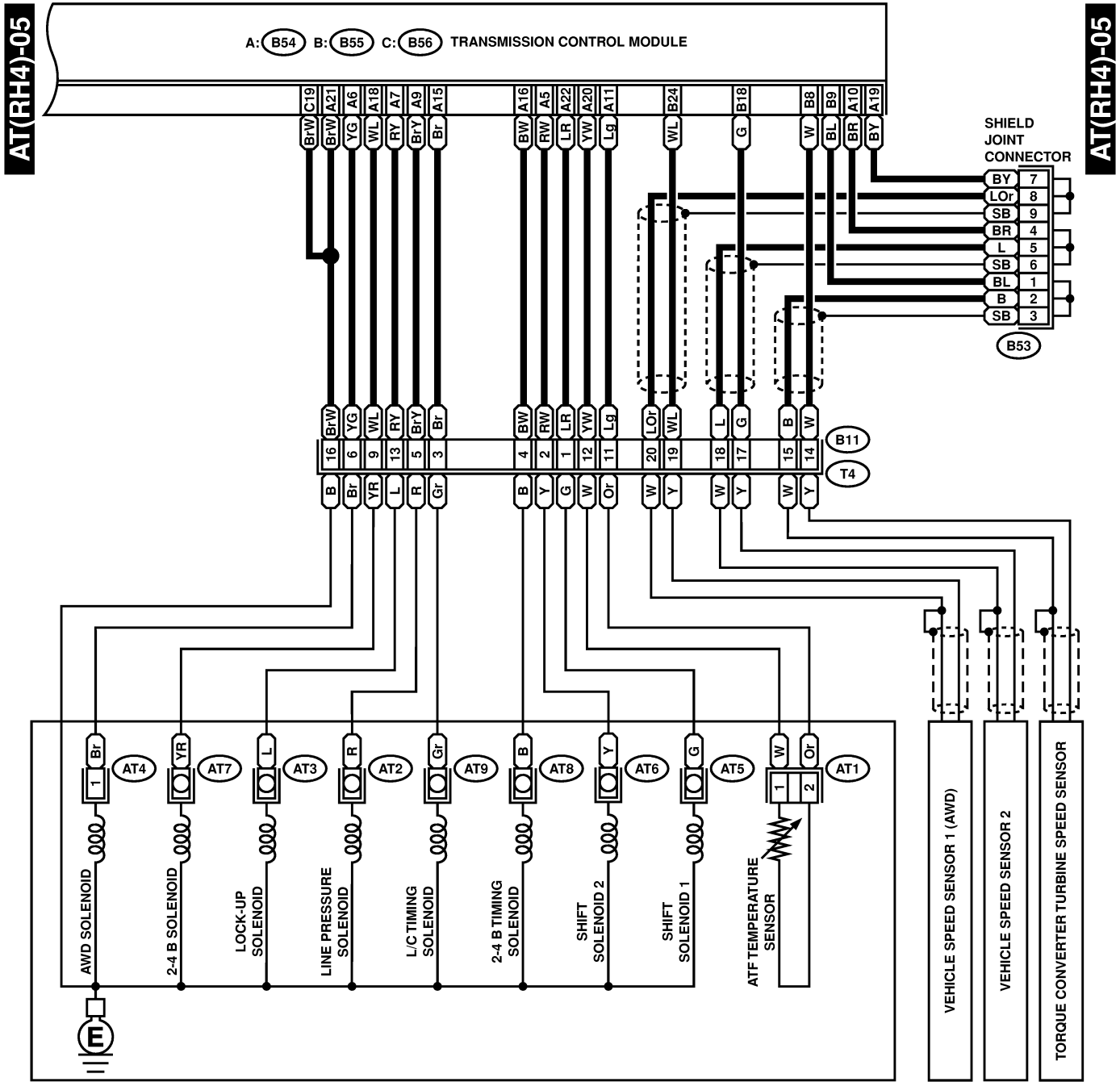
1	2	3	4	5	6	7	8	9	10	11	12	13	14	15
16	17	18	19	20	21	22				23	24	25	26	
27	28	29	30	31										

F87 (BLACK)

1	2	3	4	5	6	7	8	9	10	11	12	13	14	15	16	17	18	19	20	21	22	23	24	25	26	27	28		
X	29	30	31	32	33	34	35	36	37	38	39	40	41	42	43	44	45	46	47	48	49	50	51	52	53	54	55	X	
X	56	57	58	59	60	61	62	63	64	65	66	67	68	69	70	71	72	73	74	75	76	77	78	79	80	81	82	83	X

A/T CONTROL SYSTEM

Wiring System



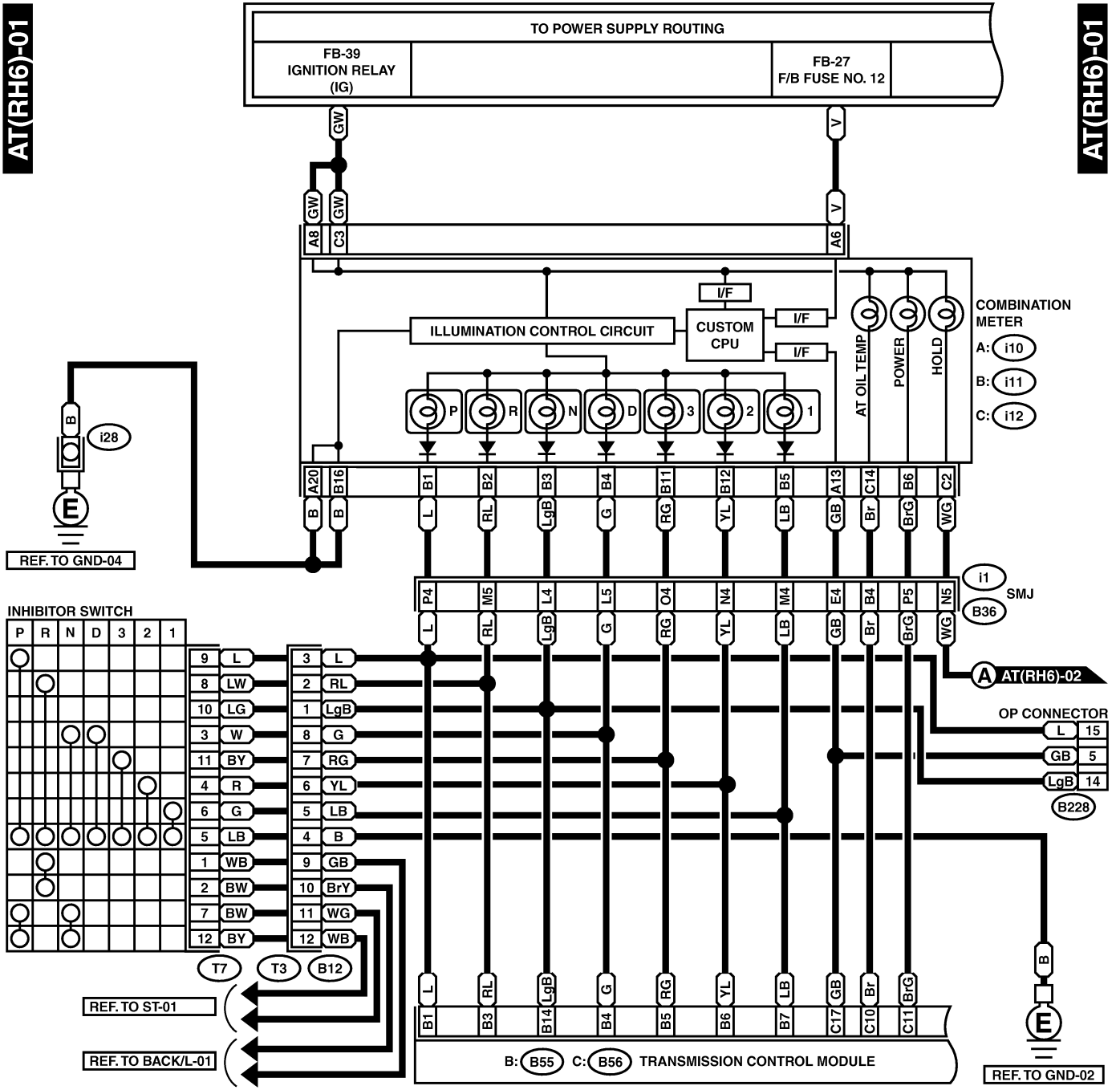
A/T CONTROL SYSTEM

Wiring System

4. RHD-H6 MODEL S903485A2109

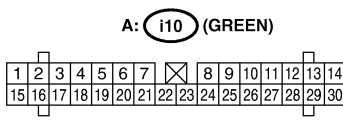
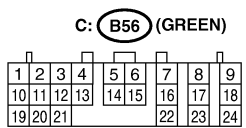
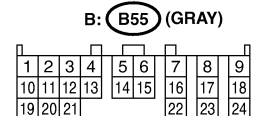
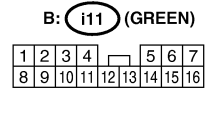
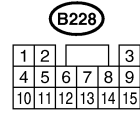
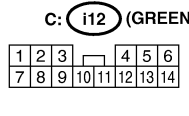
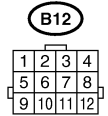
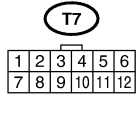
AT(RH6)-01

AT(RH6)-01



INHIBITOR SWITCH

P	R	N	D	3	2	1
○	○	○	○	○	○	○
○	○	○	○	○	○	○
○	○	○	○	○	○	○
○	○	○	○	○	○	○
○	○	○	○	○	○	○
○	○	○	○	○	○	○
○	○	○	○	○	○	○
○	○	○	○	○	○	○
○	○	○	○	○	○	○
○	○	○	○	○	○	○
○	○	○	○	○	○	○

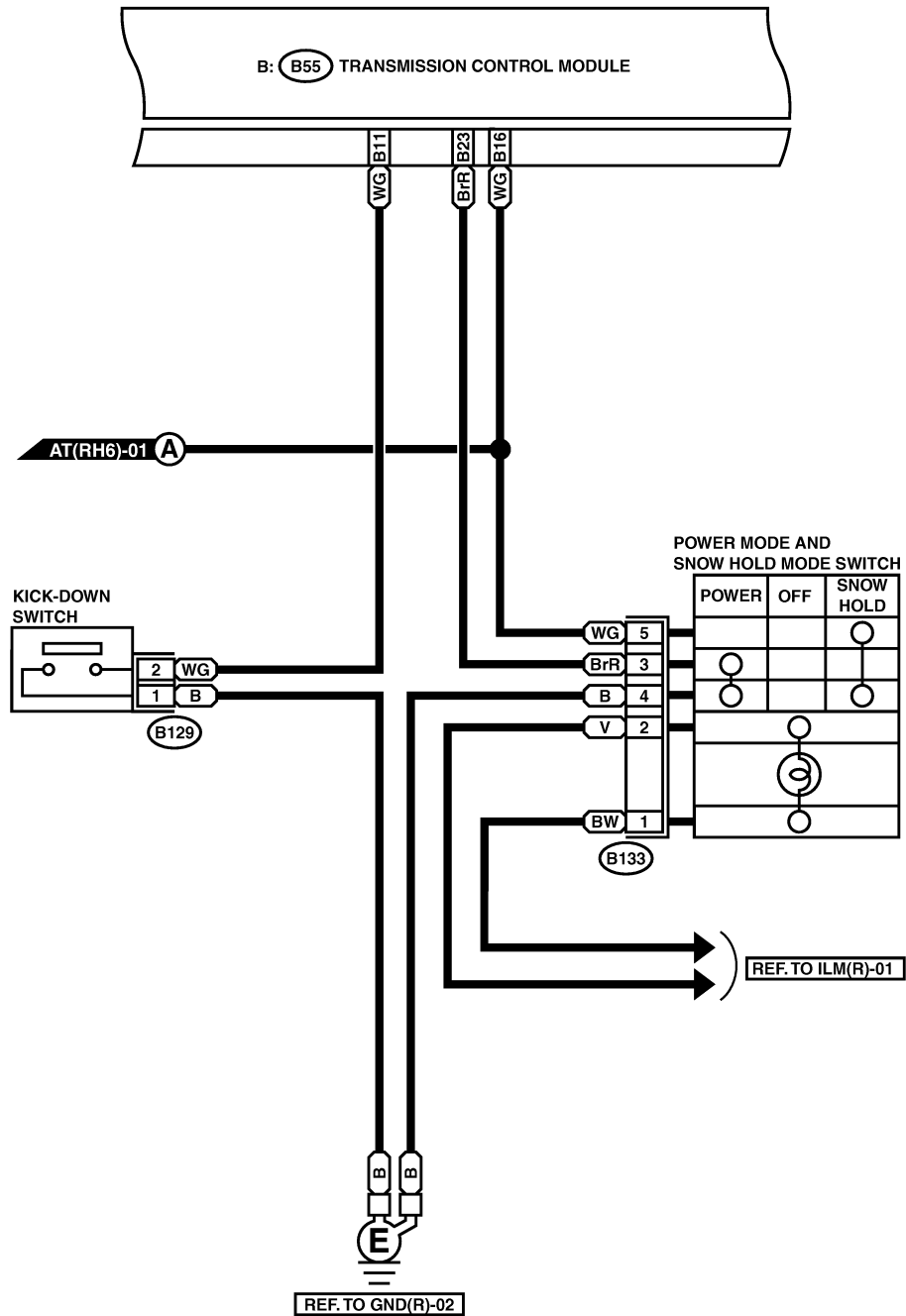


A/T CONTROL SYSTEM

Wiring System

AT(RH6)-02

AT(RH6)-02



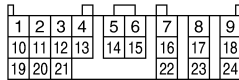
B129 (BLACK)



B133

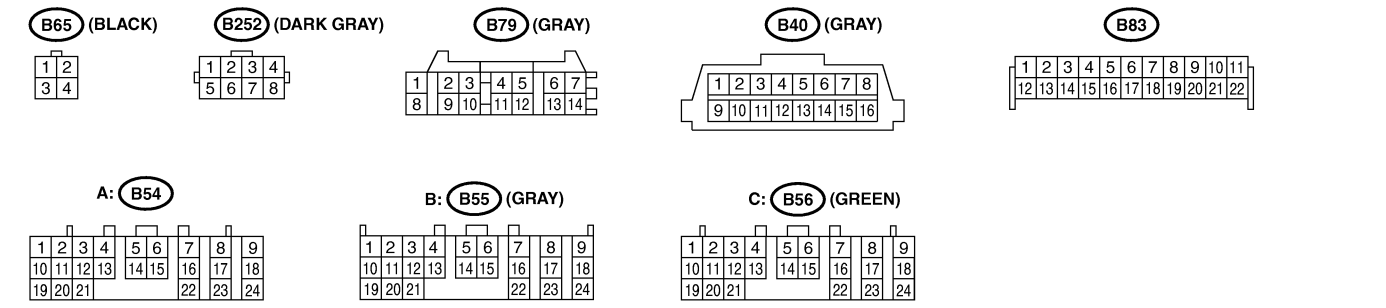
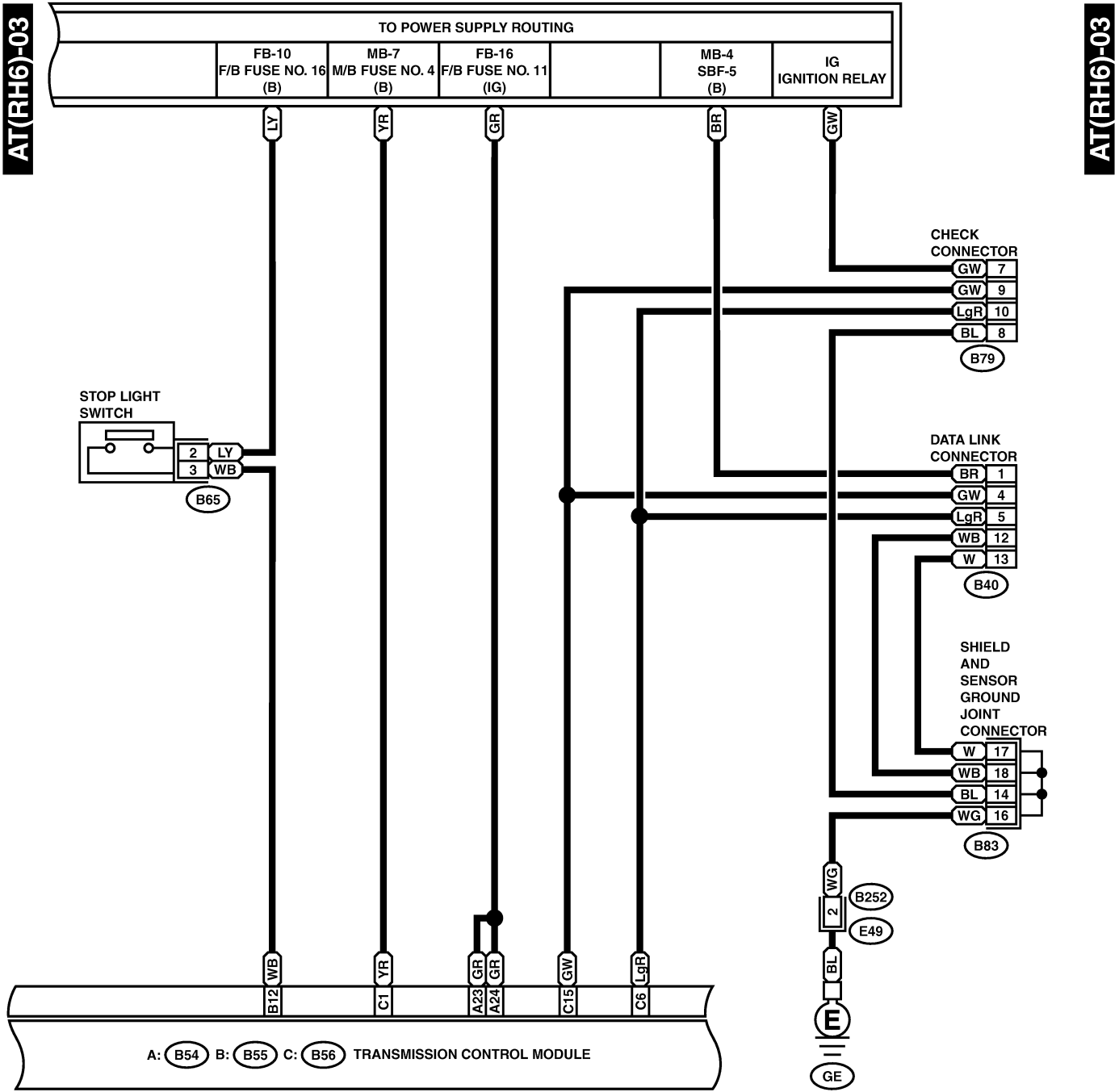


B: B55 (GRAY)



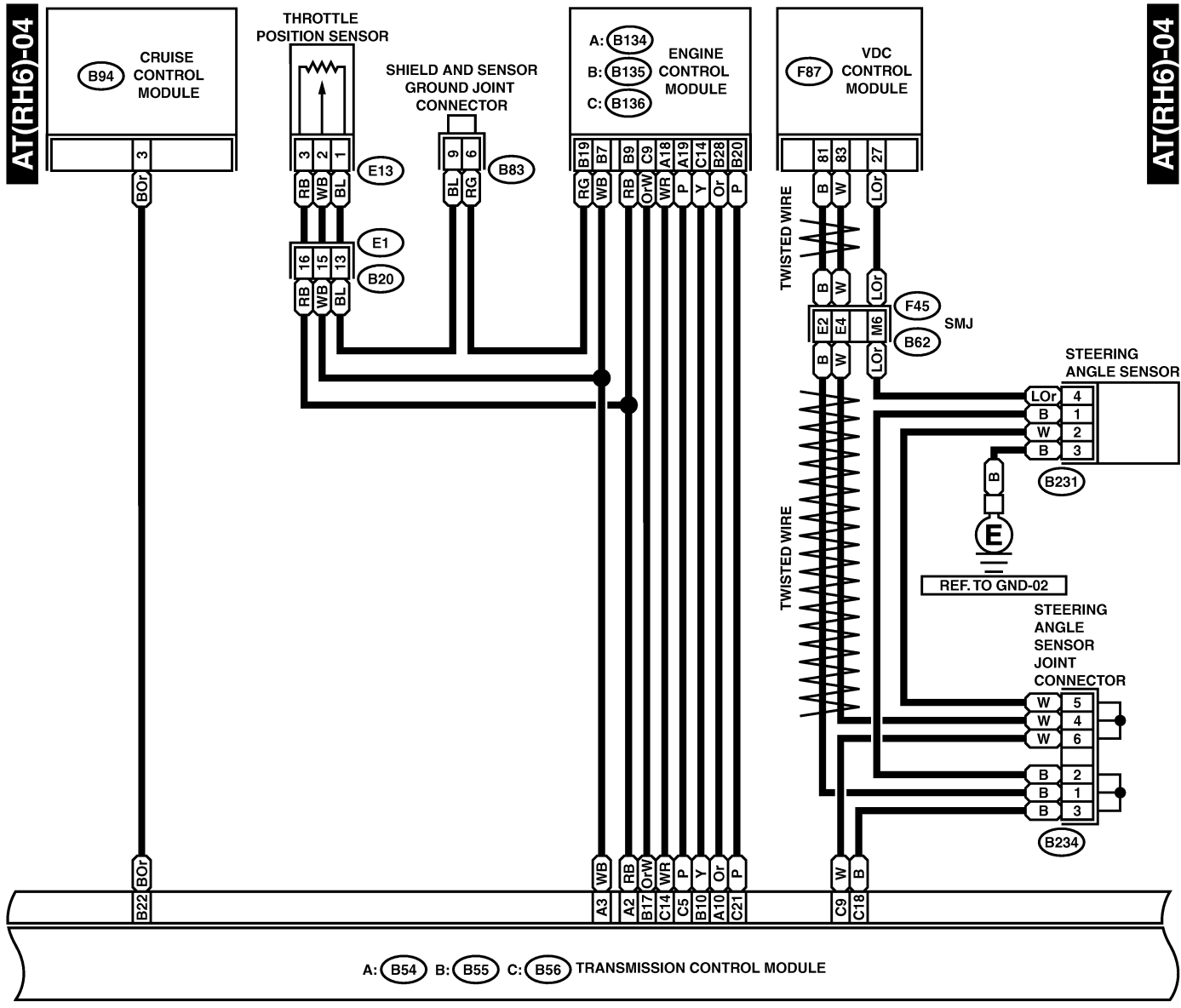
A/T CONTROL SYSTEM

Wiring System



A/T CONTROL SYSTEM

Wiring System



E13 (BLACK)

1	2	3
---	---	---

B231 (BLACK)

1	2	3	4
---	---	---	---

B234

1	2	3	4	5	6
---	---	---	---	---	---

B20 (DARK GRAY)

1	2	3	4
5	6	7	8
9	10	11	12
13	14	15	16

B94 (BLACK)

1	2	3	4	5	6	7	8	9	10
11	12	13	14	15	16	17	18	19	20

B83

1	2	3	4	5	6	7	8	9	10	11
12	13	14	15	16	17	18	19	20	21	22

A: B134

1	2	3	4	5	6	7	
8	9	10	11	12	13	14	15
16	17	18	19	20	21	22	

C: B136

1	2	3	4	5	6	7		
8	9	10	11	12	13	14	15	16
17	18	19	20	21	22	23	24	

A: B54

1	2	3	4	5	6	7	8	9
10	11	12	13	14	15	16	17	18
19	20	21	22	23	24			

B: B55 (GRAY)

1	2	3	4	5	6	7	8	9
10	11	12	13	14	15	16	17	18
19	20	21	22	23	24			

C: B56 (GREEN)

1	2	3	4	5	6	7	8	9
10	11	12	13	14	15	16	17	18
19	20	21	22	23	24			

B: B135

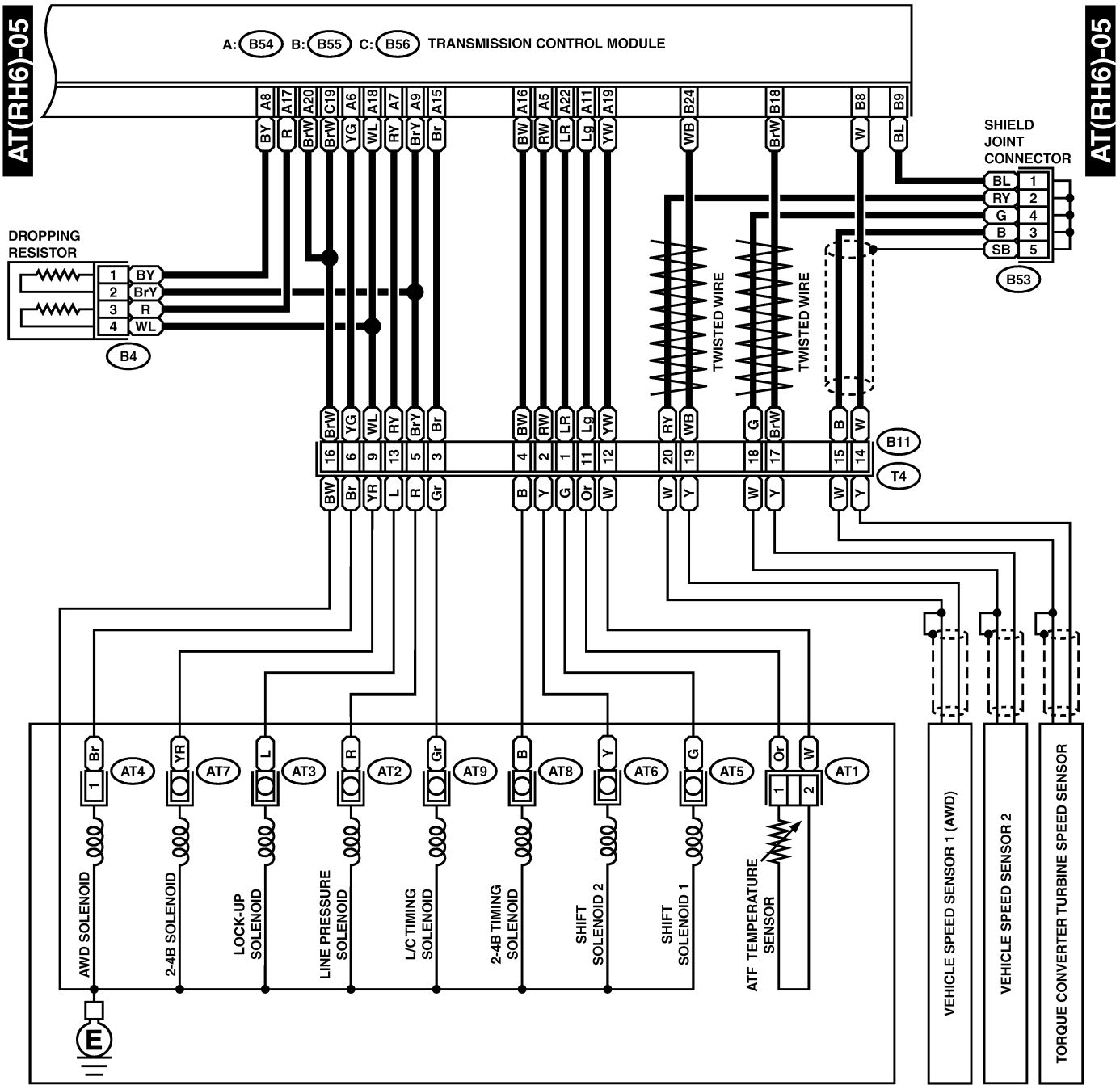
1	2	3	4	5	6	7	8	9	
10	11	12	13	14	15	16	17	18	19
20	21	22	23	24	25	26	27	28	

F87 (BLACK)

1	2	3	4	5	6	7	8	9	10	11	12	13	14	15	16	17	18	19	20	21	22	23	24	25	26	27	28		
×	29	30	31	32	33	34	35	36	37	38	39	40	41	42	43	44	45	46	47	48	49	50	51	52	53	54	55	×	
×	56	57	58	59	60	61	62	63	64	65	66	67	68	69	70	71	72	73	74	75	76	77	78	79	80	81	82	83	×

A/T CONTROL SYSTEM

Wiring System



AT4 (BROWN)



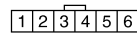
AT1 (GRAY)



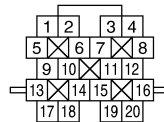
B4 (GRAY)



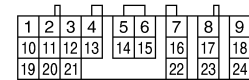
B53 (GRAY)



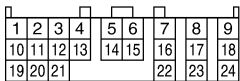
B11 (BLACK)



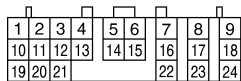
A: B54



B: B55 (GRAY)



C: B56 (GREEN)



A/T CONTROL SYSTEM

Wiring System

MEMO:

10. Audio System S903486

A: SCHEMATIC S903486A21

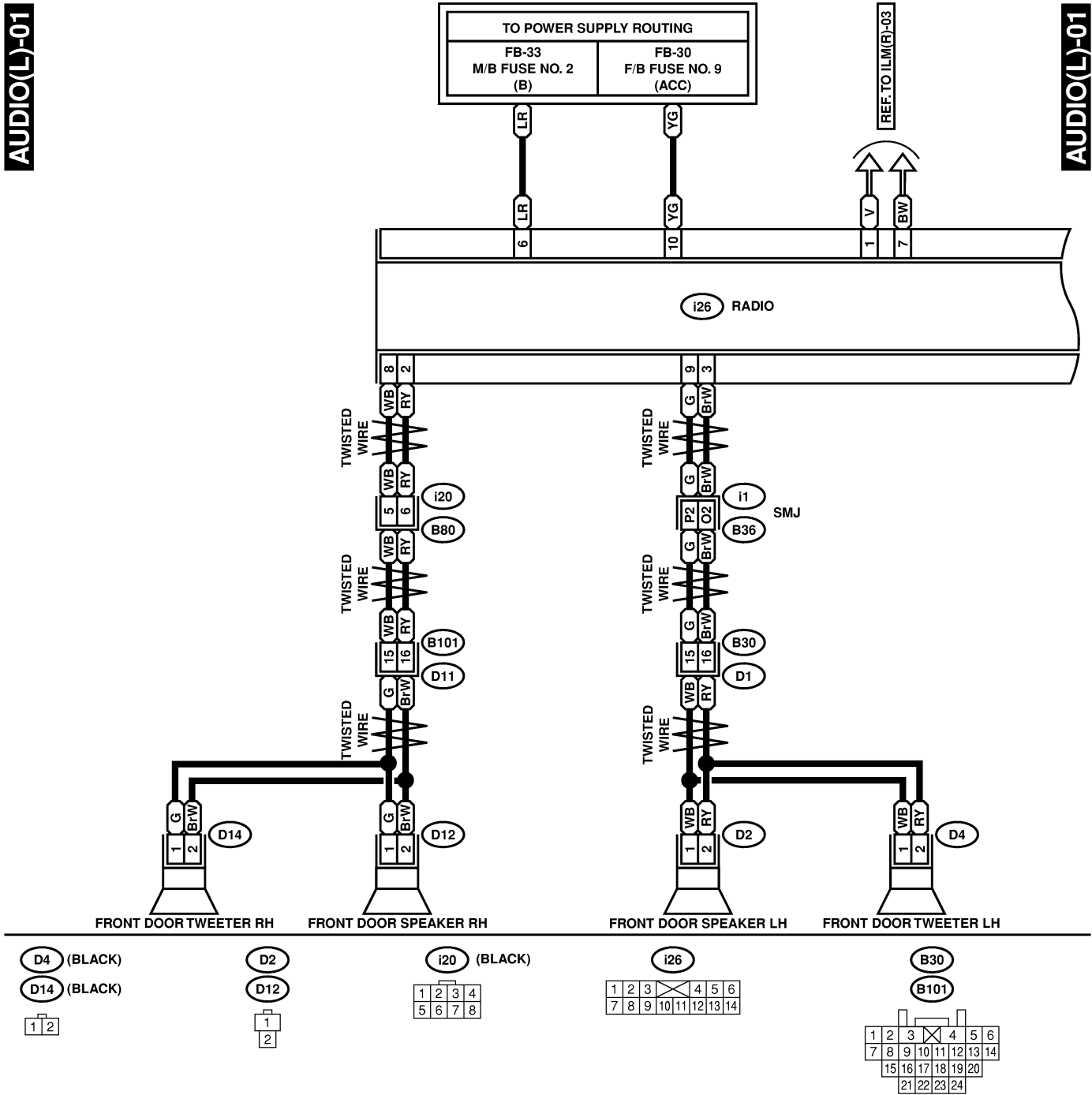
AUDIO SYSTEM

Wiring System

1. LHD MODEL S903486A2101

AUDIO(L)-01

AUDIO(L)-01

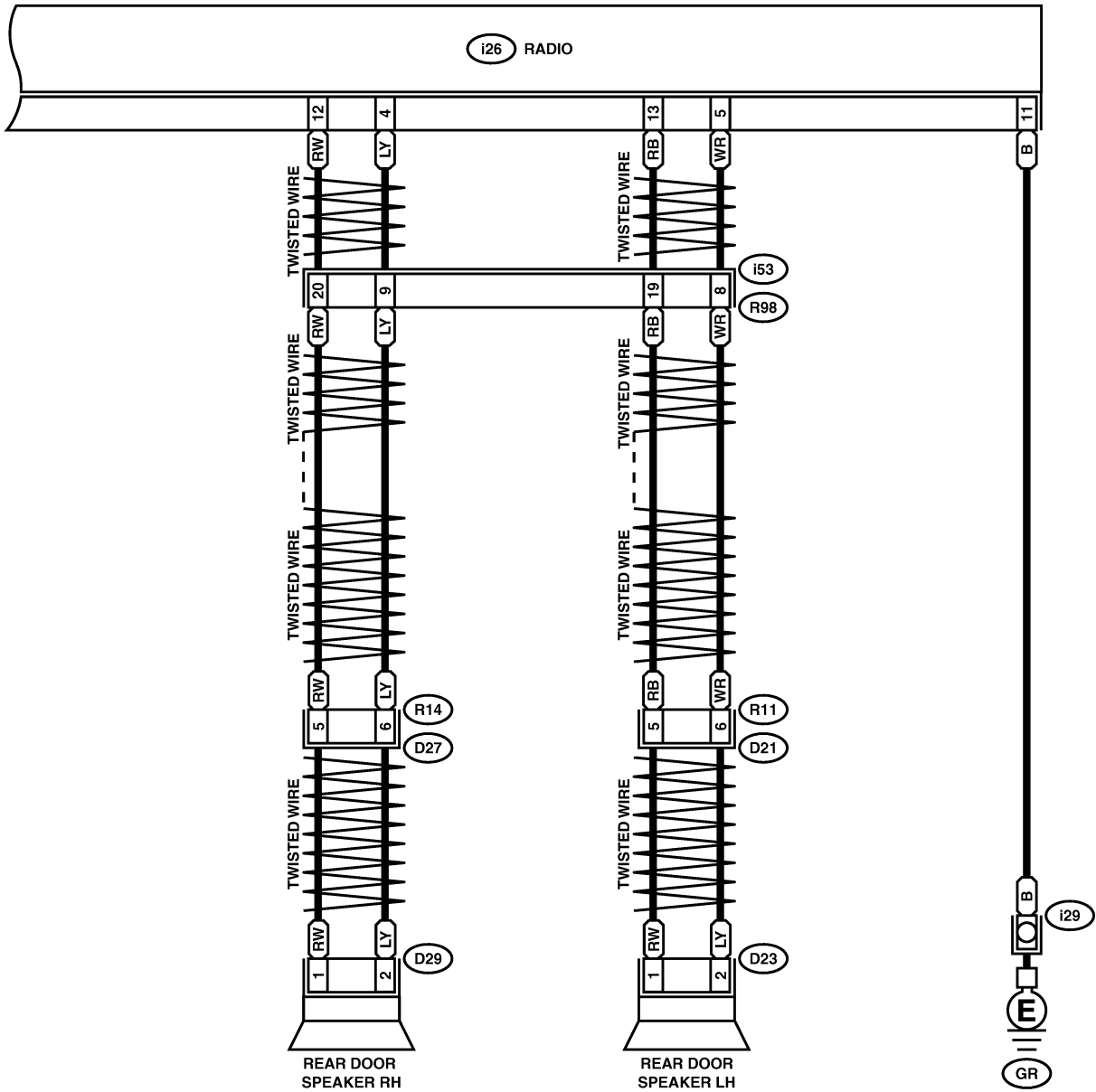


AUDIO SYSTEM

Wiring System

AUDIO(L)-02

AUDIO(L)-02



D23 (BLACK)

R11 R14

i26

R98 (BLUE)

D29 (BLACK)

1	2	3
4	5	6
7	8	

1	2	3	4	5	6
7	8	9	10	11	12
13	14				

1	2	3	4	5	6	7	8	9	10
11	12	13	14	15	16	17	18	19	20

1
2

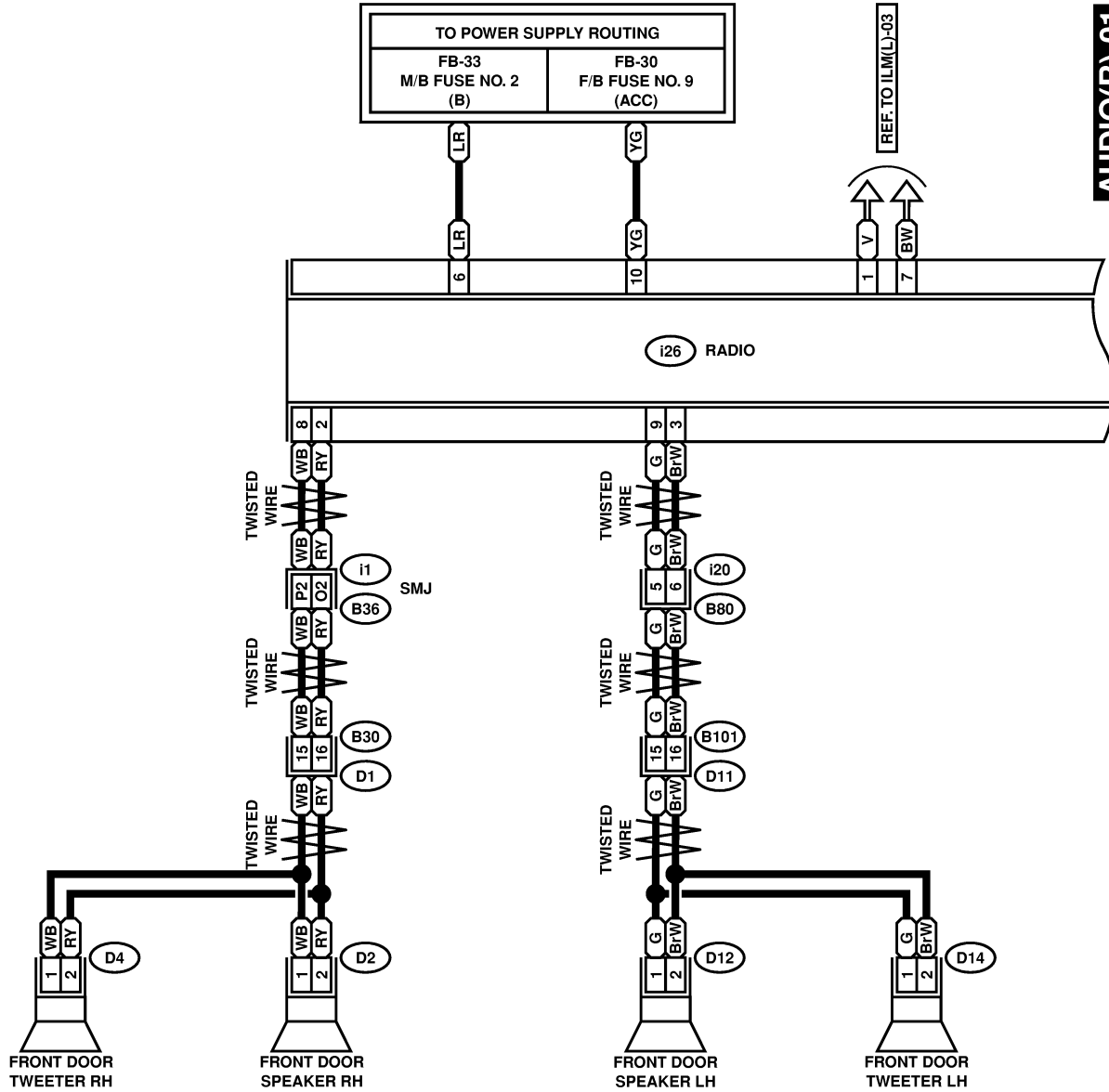
AUDIO SYSTEM

Wiring System

2. RHD MODEL S903486A2102

AUDIO(R)-01

AUDIO(R)-01



D4 (BLACK)

D14 (BLACK)



D2

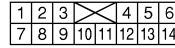
D12



i20



i26



B30

B101

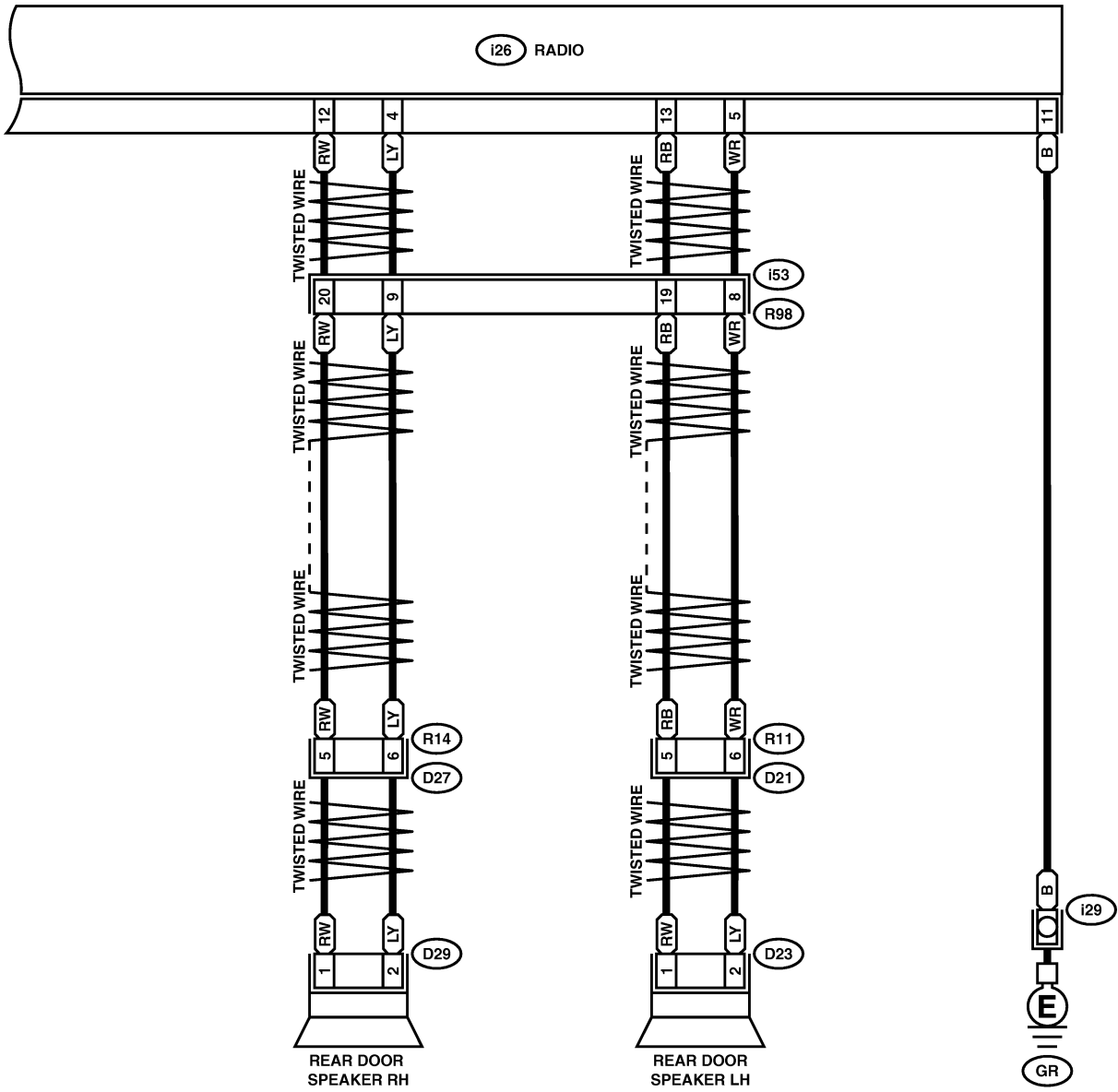


AUDIO SYSTEM

Wiring System

AUDIO(R)-02

AUDIO(R)-02



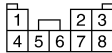
D23 (BLACK)

D29 (BLACK)

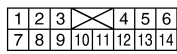


R11

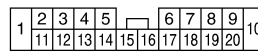
R14



i26



R98 (BLUE)



CHARGING SYSTEM

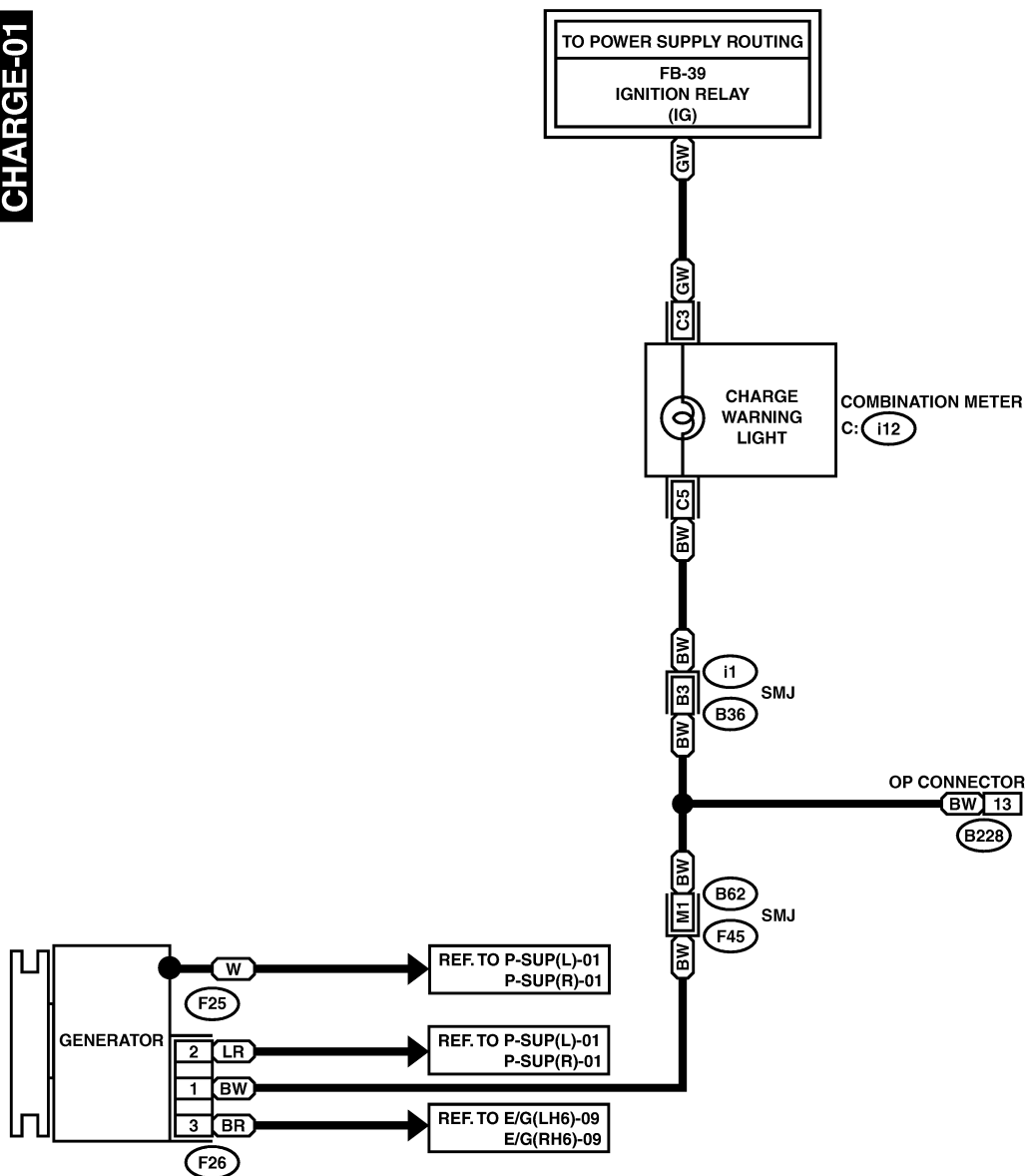
Wiring System

11. Charging System S903487

A: SCHEMATIC S903487A21

CHARGE-01

CHARGE-01



F26 (GREEN)

1	2	3
---	---	---

C: i12 (GREEN)

1	2	3	4	5	6		
7	8	9	10	11	12	13	14

B228

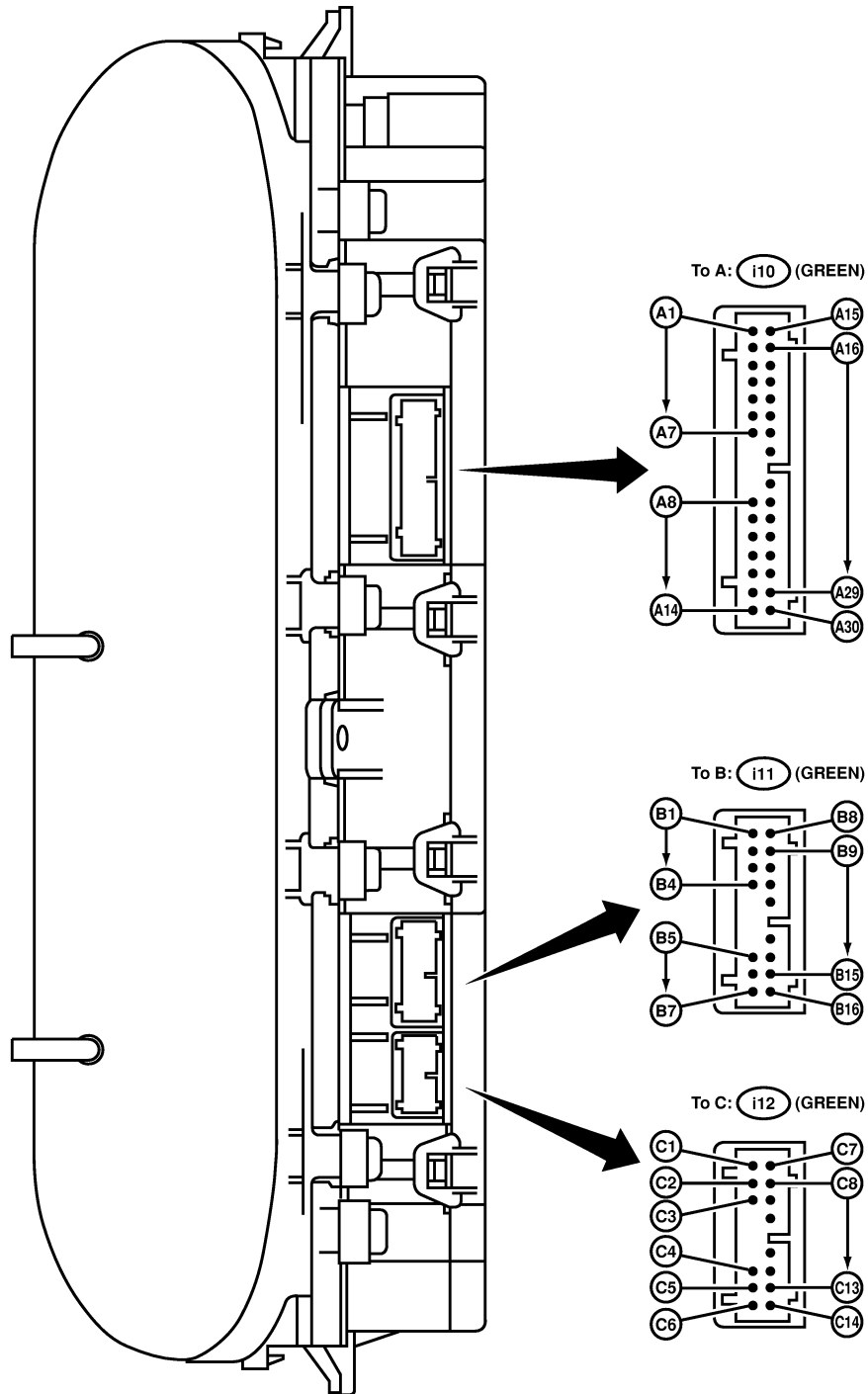
1	2	3			
4	5	6	7	8	9
10	11	12	13	14	15

12. Combination Meter S903488

A: SCHEMATIC S903488A21

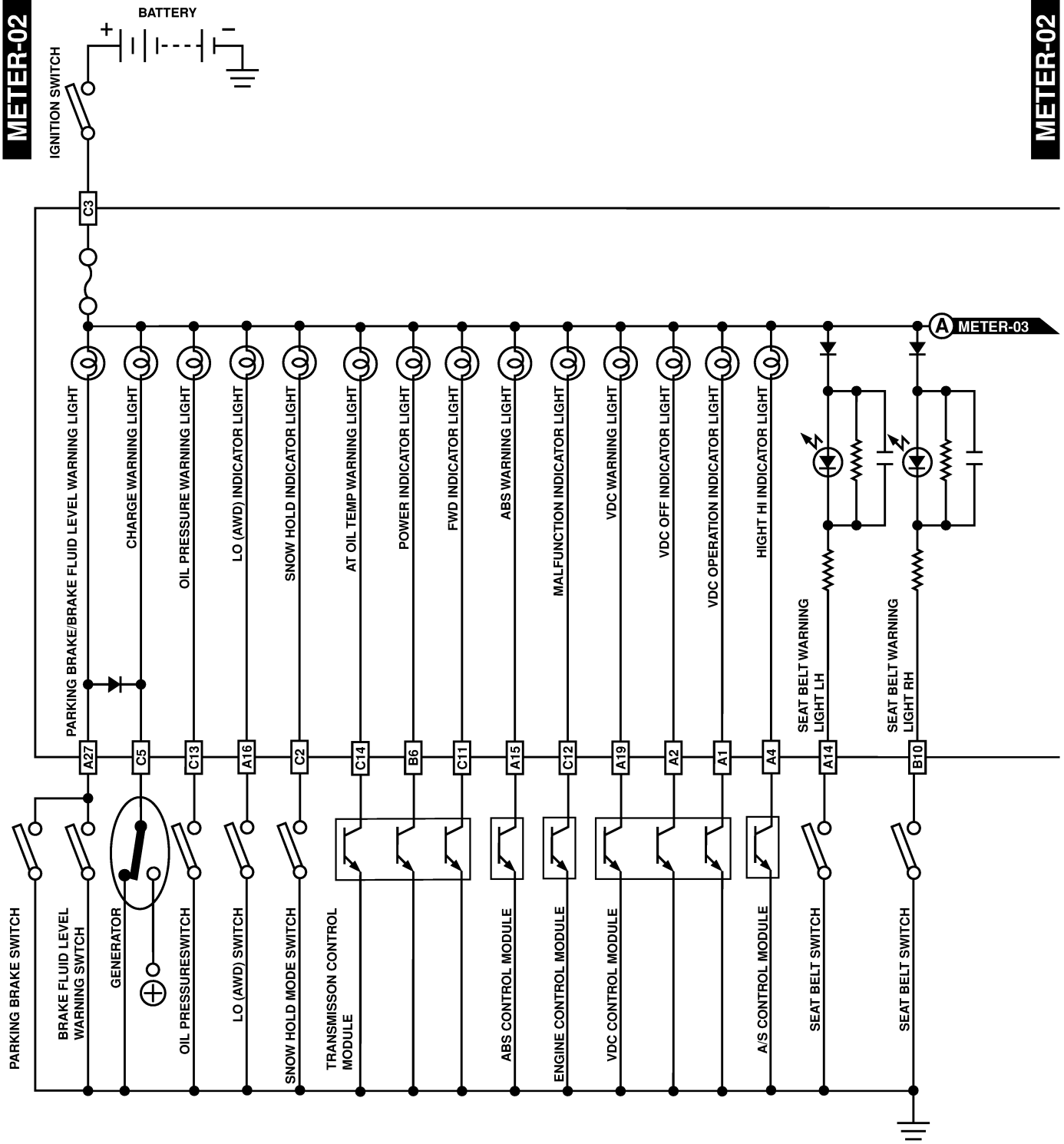
METER-01

METER-01



COMBINATION METER

Wiring System

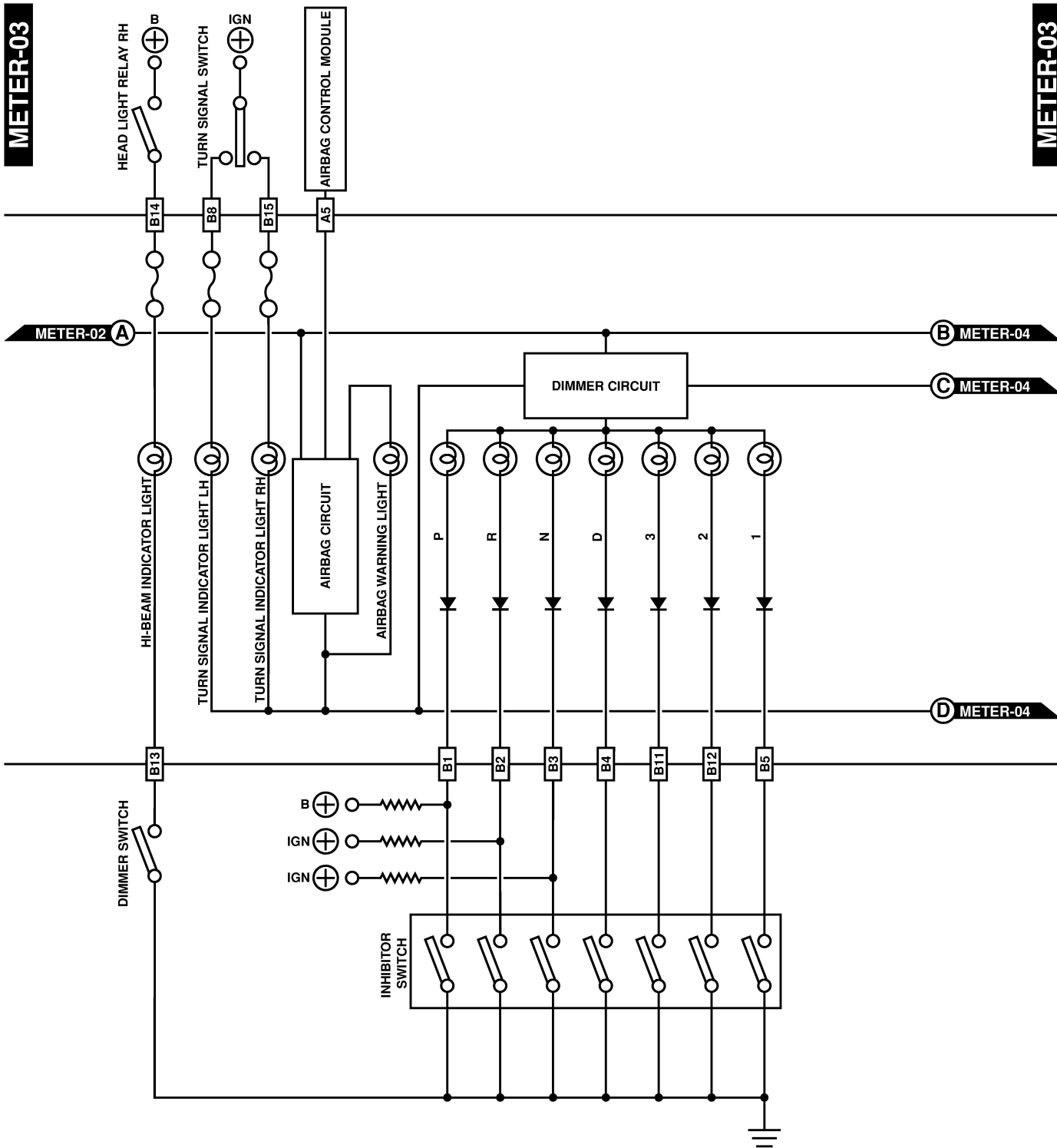


METER-02

METER-02

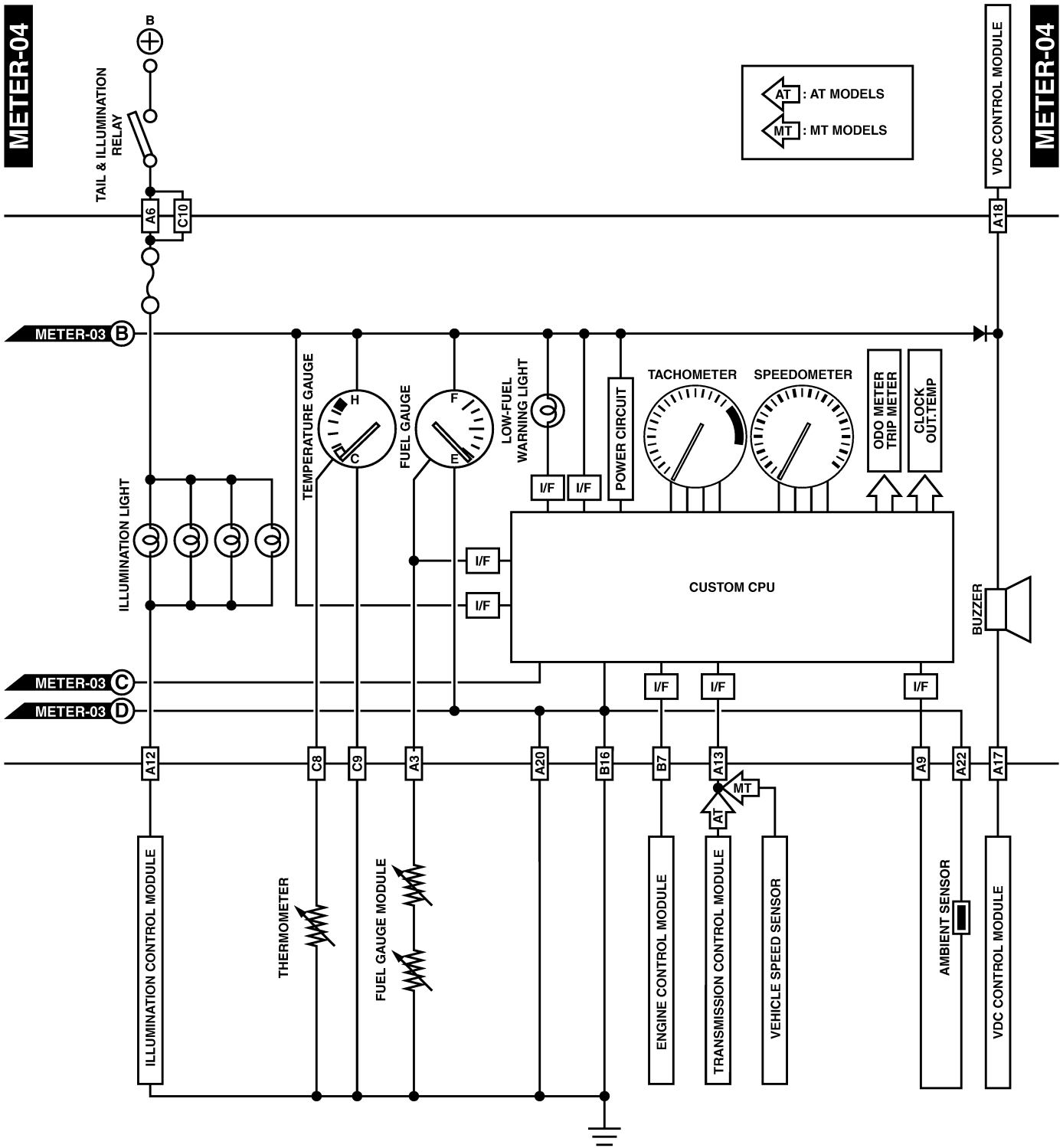
COMBINATION METER

Wiring System



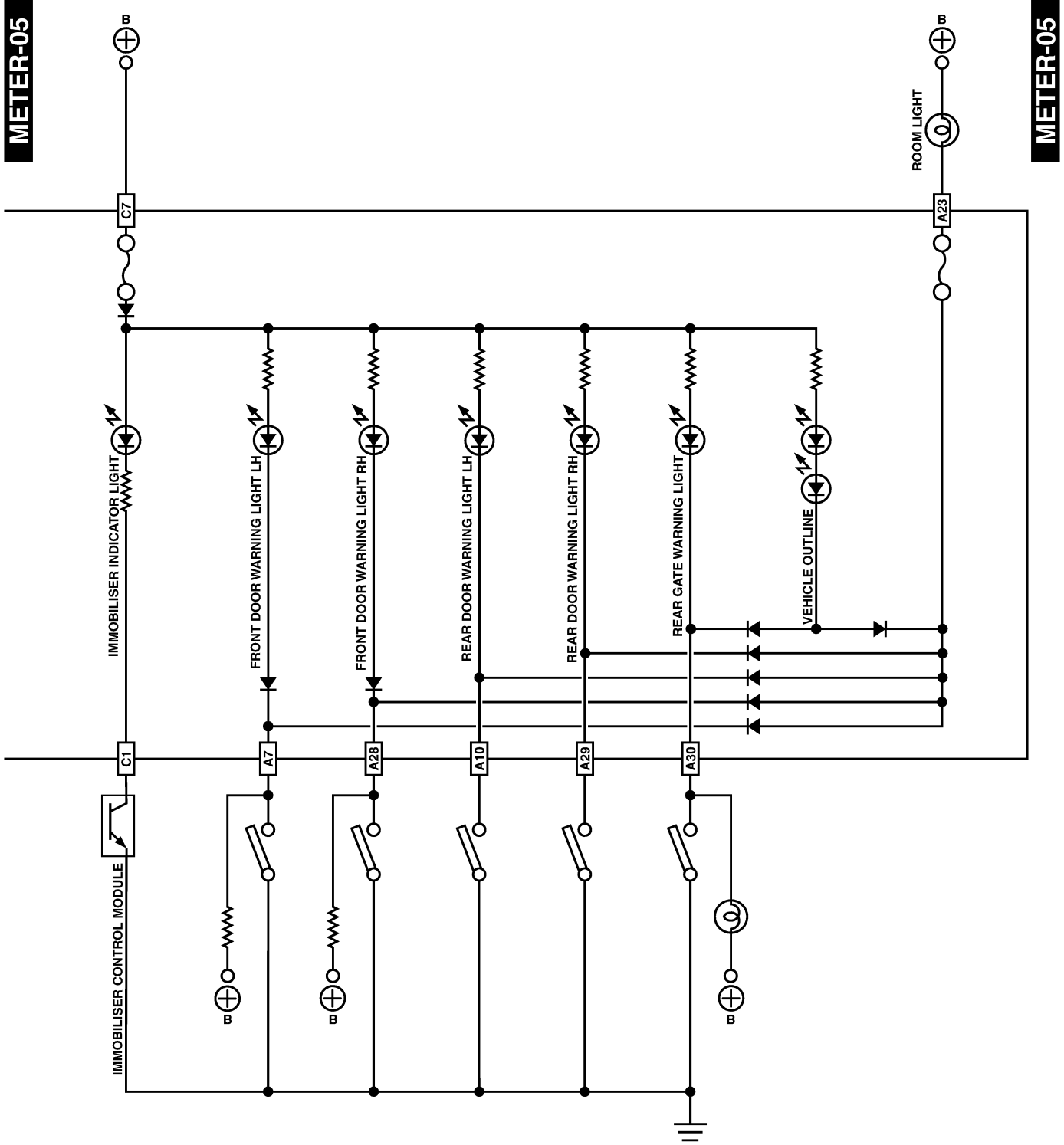
COMBINATION METER

Wiring System



COMBINATION METER

Wiring System



COMBINATION METER

Wiring System

MEMO:

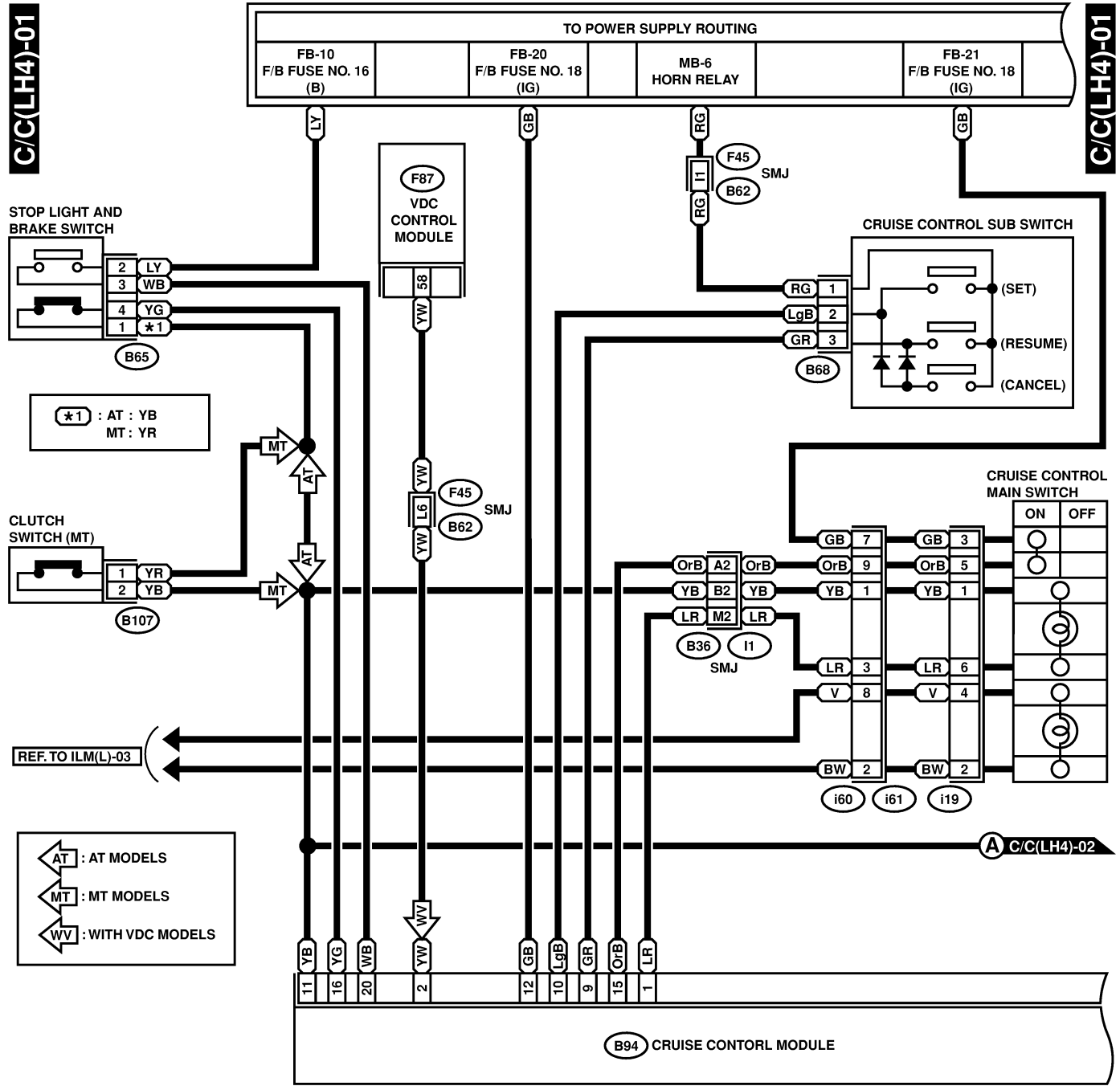
13. Cruise Control System S903495

A: SCHEMATIC S903495A21

CRUISE CONTROL SYSTEM

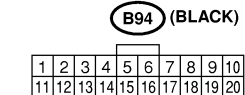
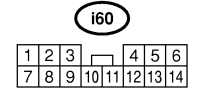
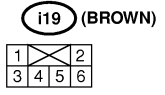
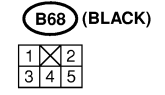
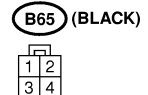
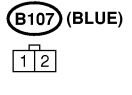
Wiring System

1. LHD-H4 MODEL S903495A2105



REF. TO ILM(L)-03

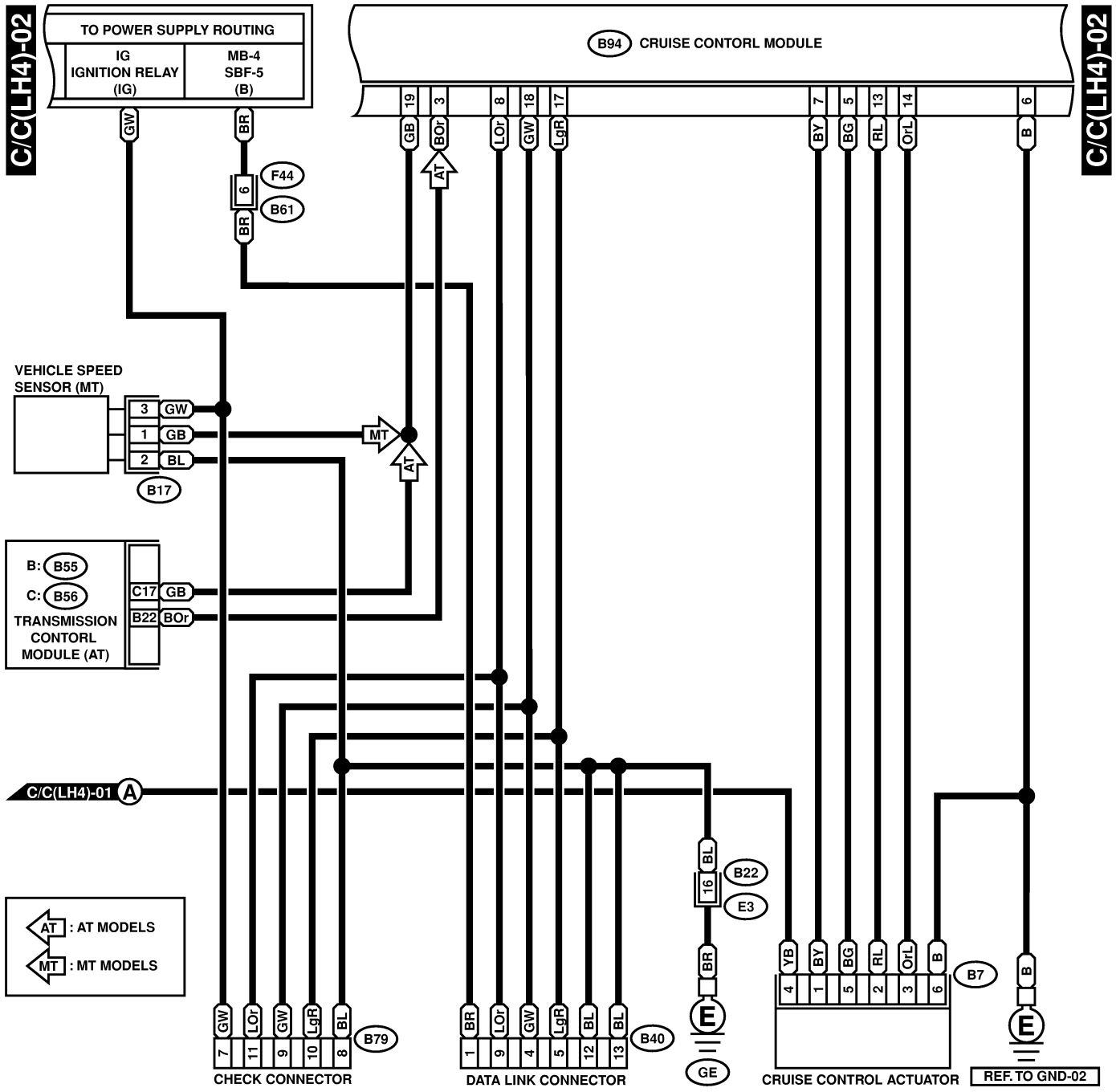
← AT : AT MODELS
 ← MT : MT MODELS
 ← WV : WITH VDC MODELS



1	2	3	4	5	6	7	8	9	10	11	12	13	14	15	16	17	18	19	20	21	22	23	24	25	26	27	28	
29	30	31	32	33	34	35	36	37	38	39	40	41	42	43	44	45	46	47	48	49	50	51	52	53	54	55		
56	57	58	59	60	61	62	63	64	65	66	67	68	69	70	71	72	73	74	75	76	77	78	79	80	81	82	83	

CRUISE CONTROL SYSTEM

Wiring System



B17 (BLACK)



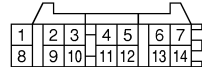
B7 (BLACK)



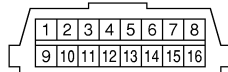
F44



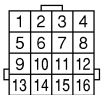
B79 (GRAY)



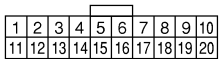
B40 (GRAY)



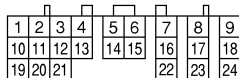
B22 (BROWN)



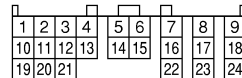
B94 (BLACK)



C: B56 (GREEN)



B: B55 (GRAY)

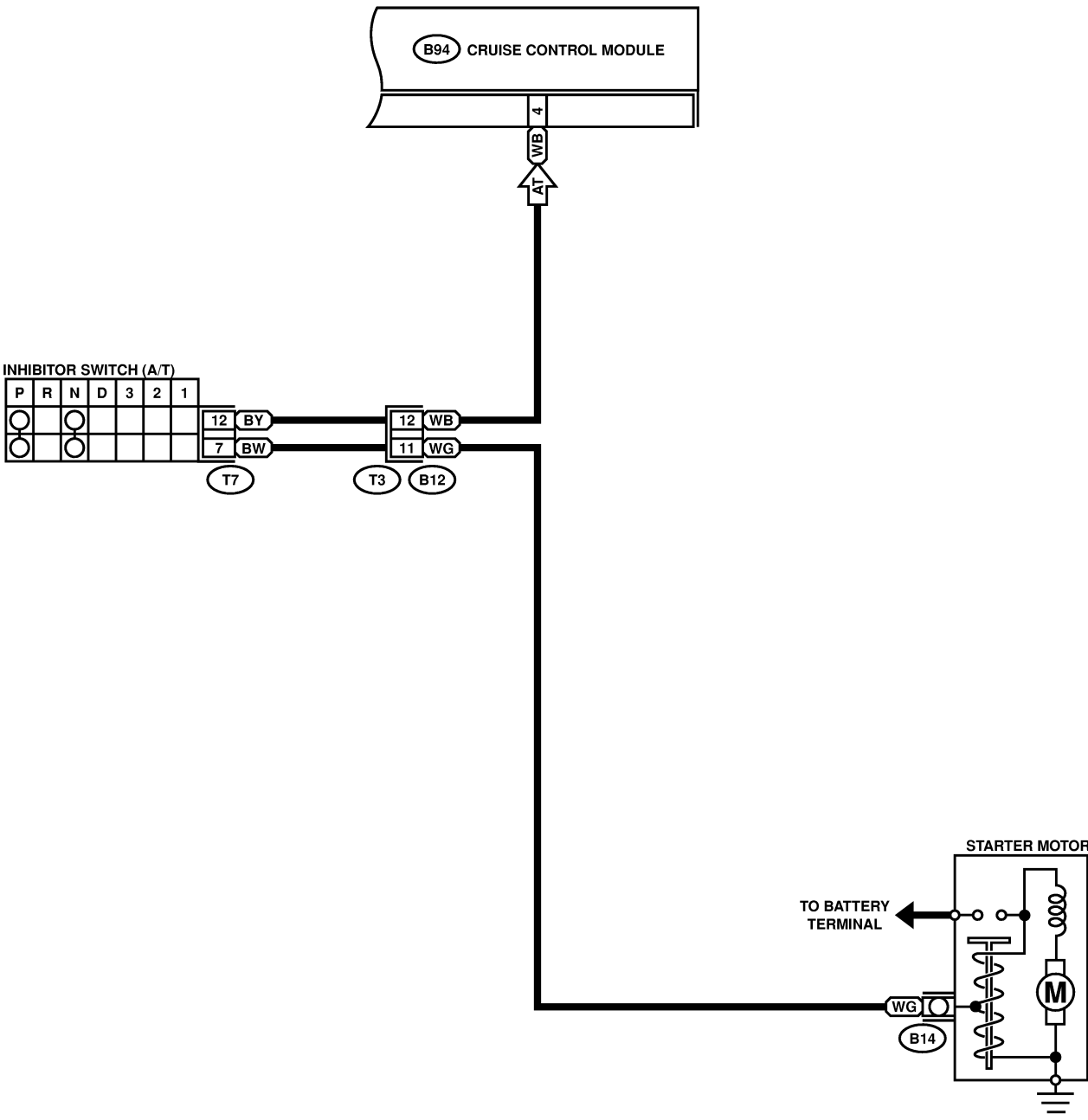


CRUISE CONTROL SYSTEM

Wiring System

C/C(LH4)-03

C/C(LH4)-03



T7

1	2	3	4	5	6
7	8	9	10	11	12

B12

1	2	3	4
5	6	7	8
9	10	11	12

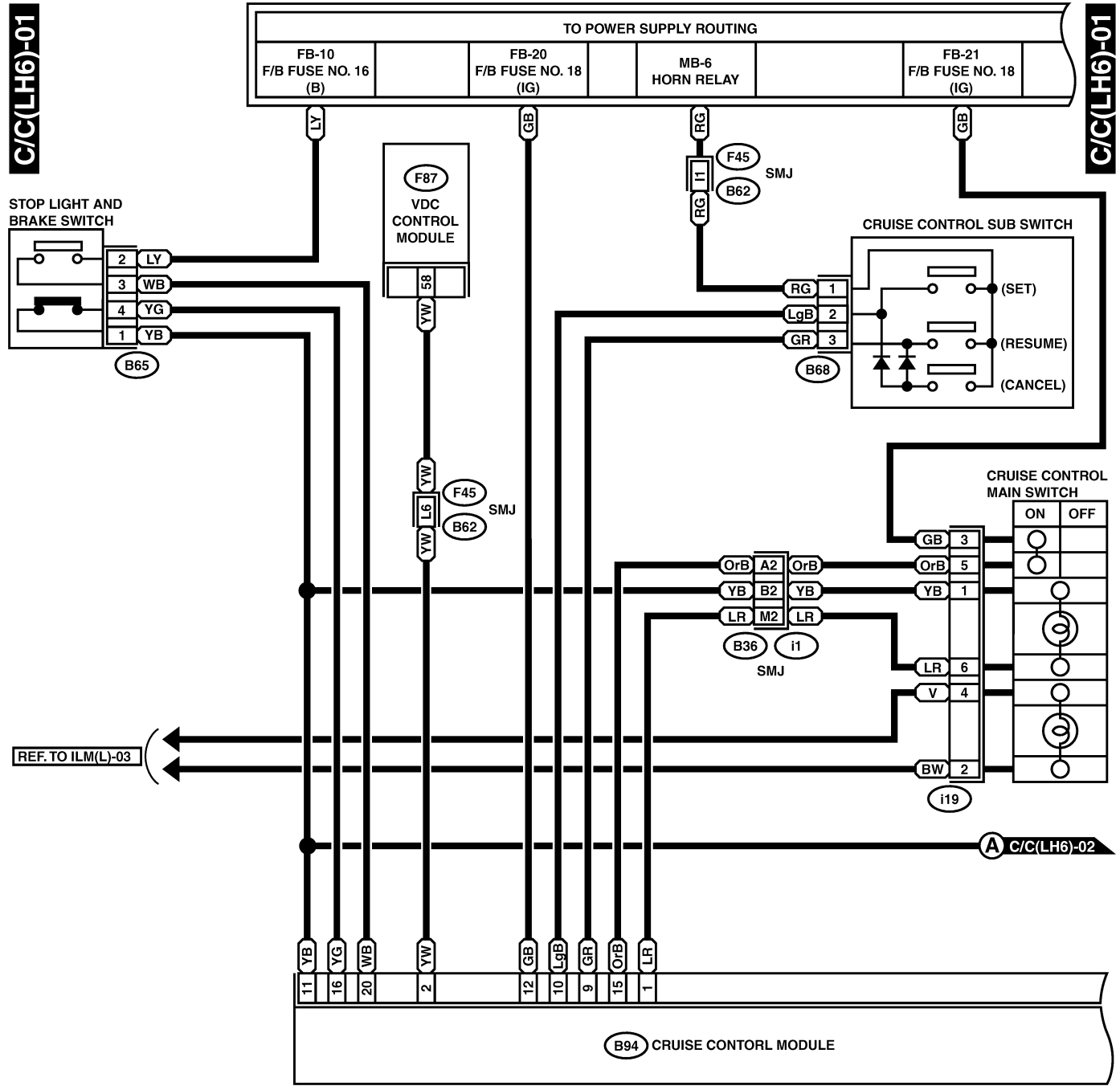
B94 (BLACK)

1	2	3	4	5	6	7	8	9	10
11	12	13	14	15	16	17	18	19	20

CRUISE CONTROL SYSTEM

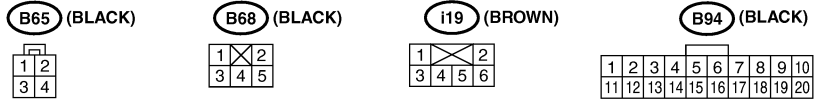
Wiring System

2. LHD-H6 MODEL S903495A2106



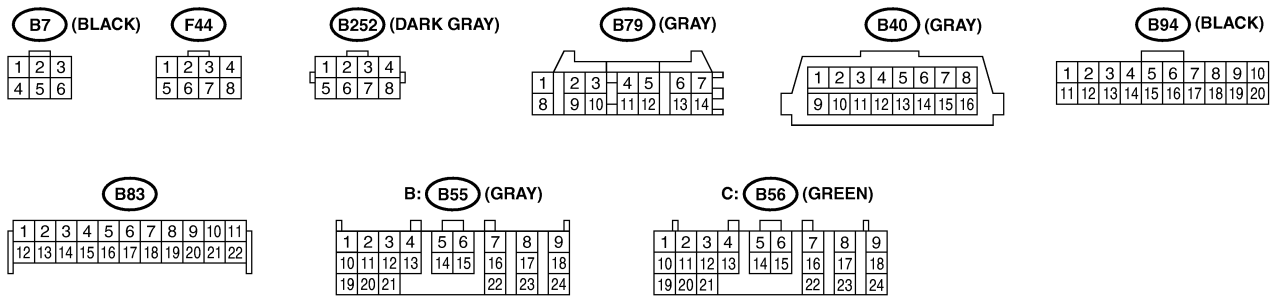
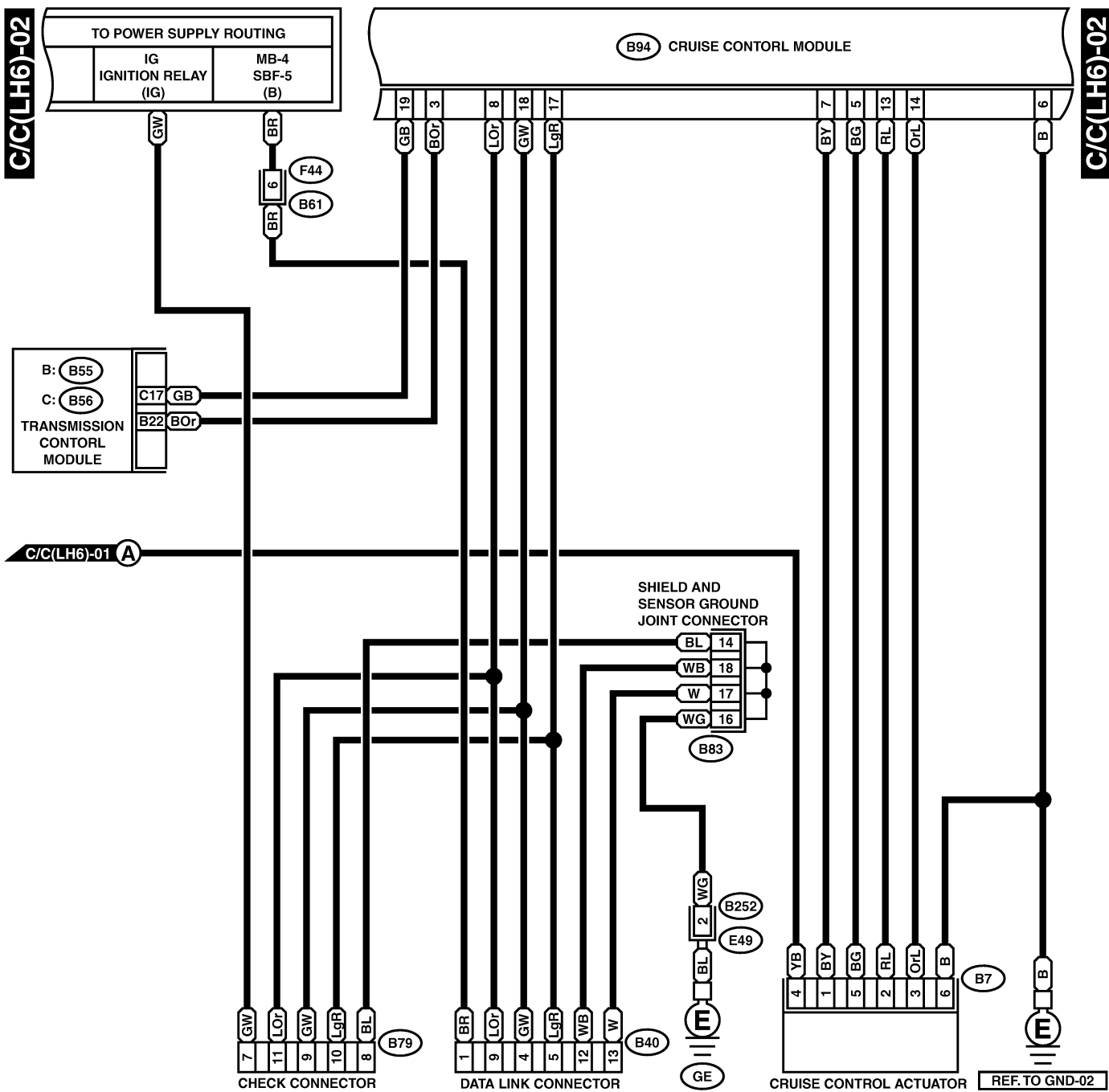
REF. TO ILM(L)-03

A C/C(LH6)-02



CRUISE CONTROL SYSTEM

Wiring System

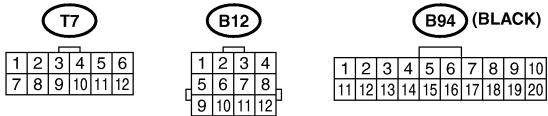
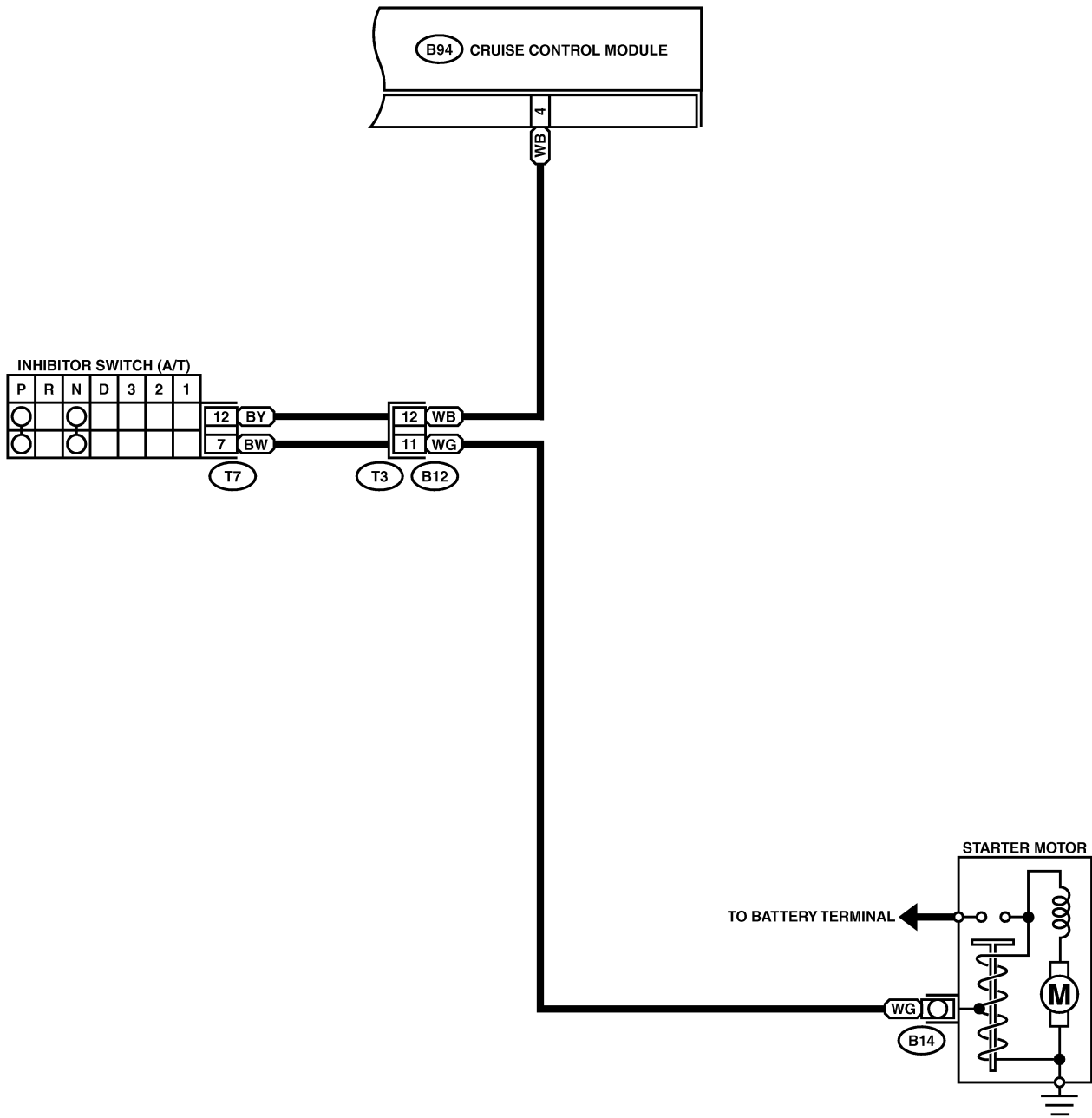


CRUISE CONTROL SYSTEM

Wiring System

C/C(LH6)-03

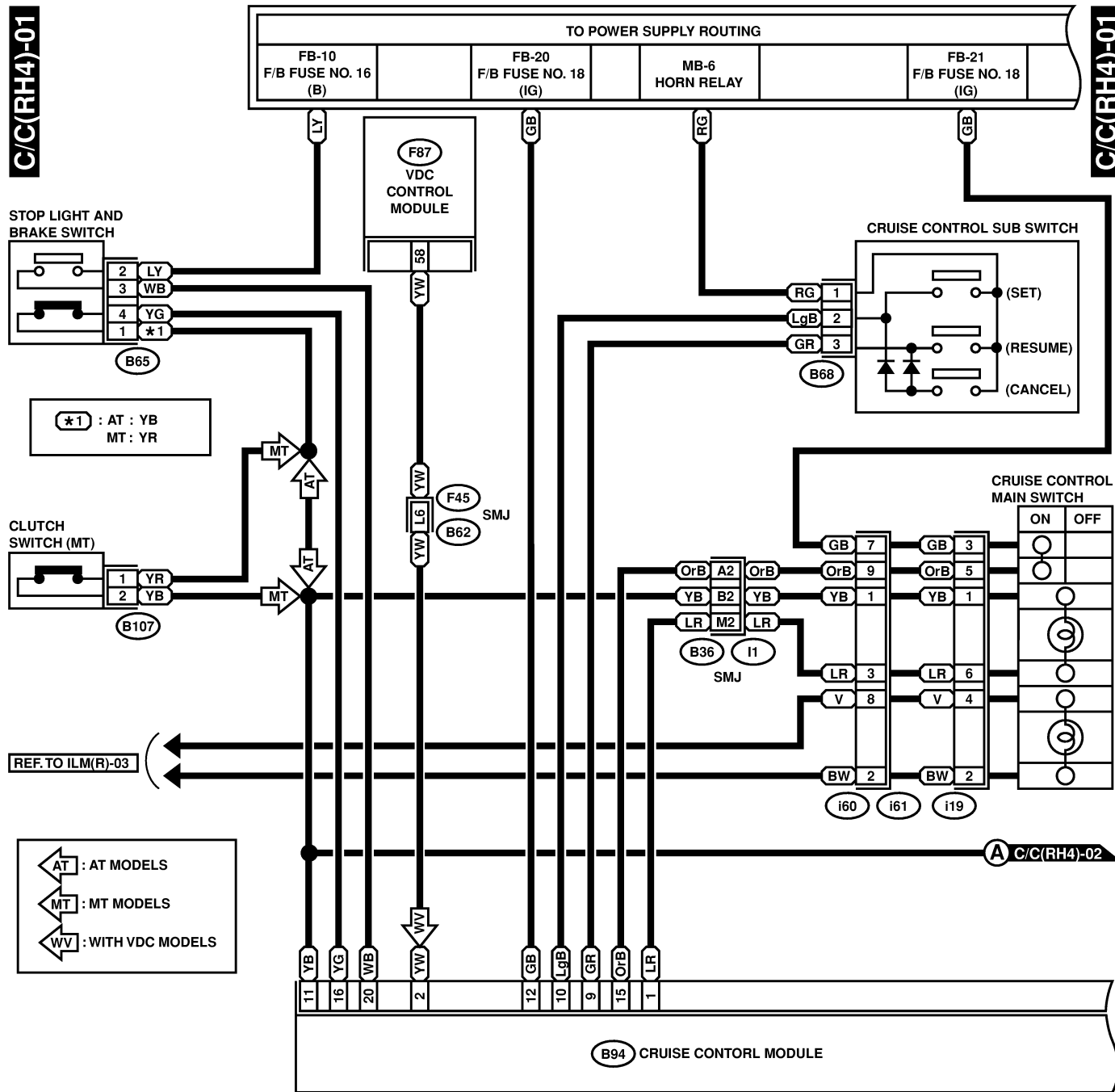
C/C(LH6)-03



CRUISE CONTROL SYSTEM

Wiring System

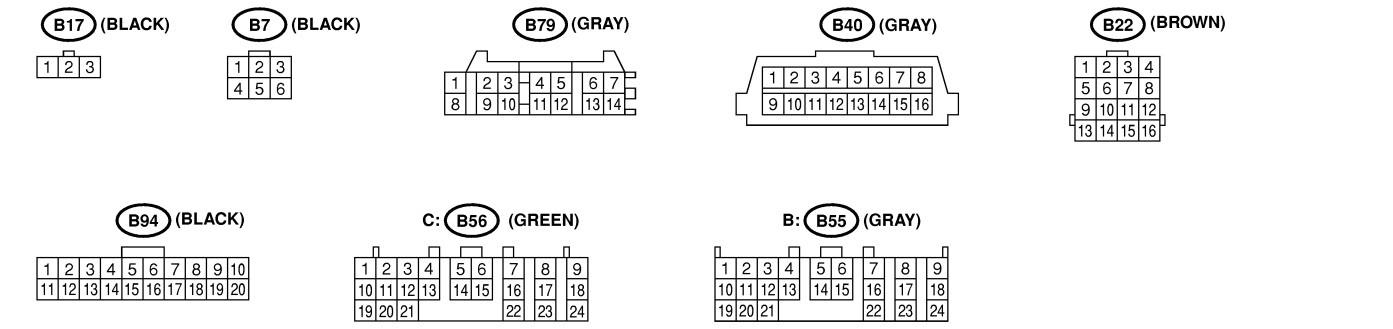
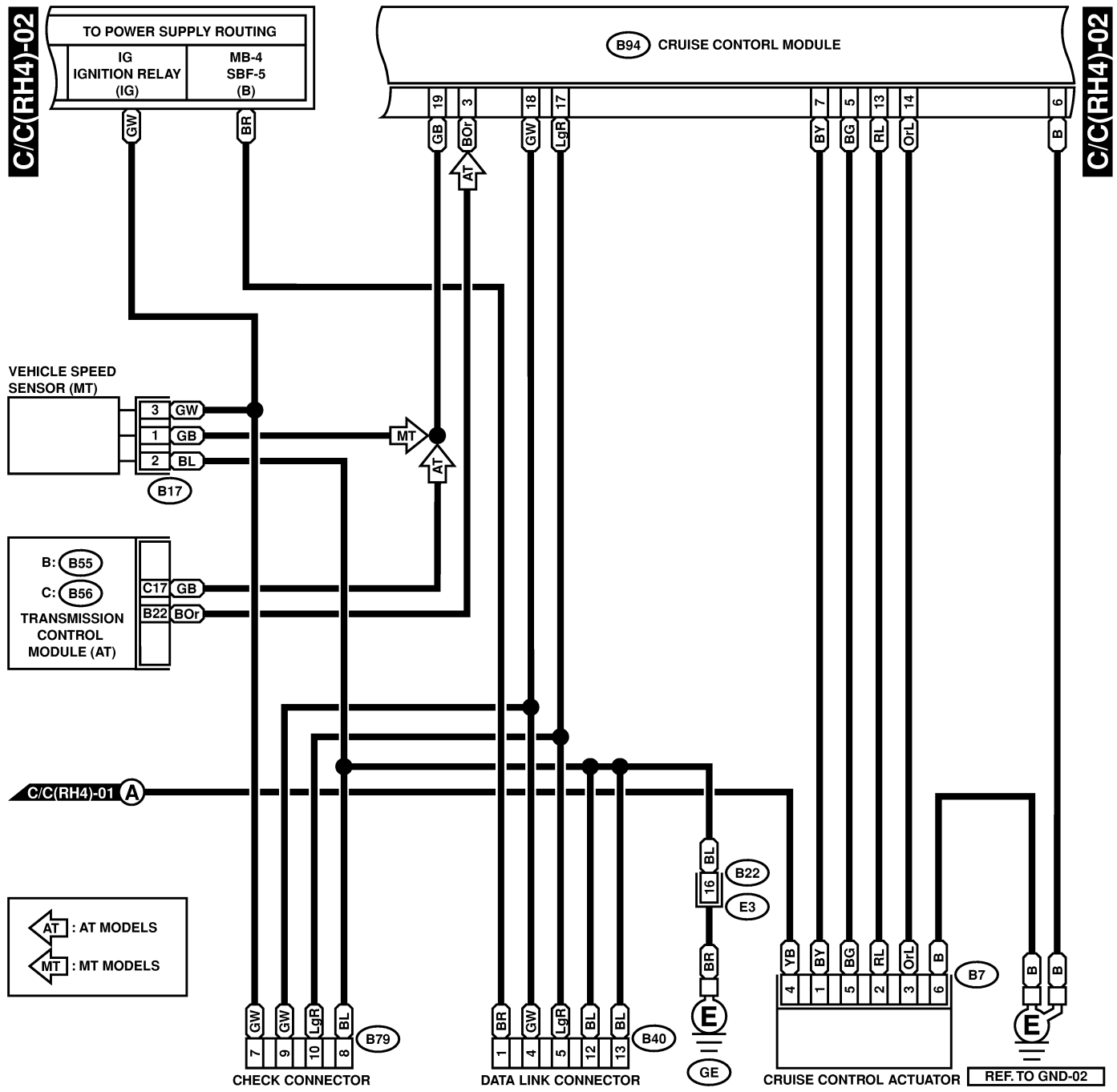
3. RHD-H4 MODEL S903495A2107



B107 (BLUE)	B65 (BLACK)	B68 (BLACK)	i19 (BROWN)	i60	B94 (BLACK)																																																																																
<table border="1"><tr><td>1</td><td>2</td></tr></table>	1	2	<table border="1"><tr><td>1</td><td>2</td></tr><tr><td>3</td><td>4</td></tr></table>	1	2	3	4	<table border="1"><tr><td>1</td><td>2</td></tr><tr><td>3</td><td>4</td></tr><tr><td>5</td><td>6</td></tr></table>	1	2	3	4	5	6	<table border="1"><tr><td>1</td><td>2</td></tr><tr><td>3</td><td>4</td></tr><tr><td>5</td><td>6</td></tr></table>	1	2	3	4	5	6	<table border="1"><tr><td>1</td><td>2</td><td>3</td><td>4</td><td>5</td><td>6</td></tr><tr><td>7</td><td>8</td><td>9</td><td>10</td><td>11</td><td>12</td></tr><tr><td>13</td><td>14</td><td>15</td><td>16</td><td>17</td><td>18</td></tr></table>	1	2	3	4	5	6	7	8	9	10	11	12	13	14	15	16	17	18	<table border="1"><tr><td>1</td><td>2</td><td>3</td><td>4</td><td>5</td><td>6</td><td>7</td><td>8</td><td>9</td><td>10</td></tr><tr><td>11</td><td>12</td><td>13</td><td>14</td><td>15</td><td>16</td><td>17</td><td>18</td><td>19</td><td>20</td></tr></table>	1	2	3	4	5	6	7	8	9	10	11	12	13	14	15	16	17	18	19	20																								
1	2																																																																																				
1	2																																																																																				
3	4																																																																																				
1	2																																																																																				
3	4																																																																																				
5	6																																																																																				
1	2																																																																																				
3	4																																																																																				
5	6																																																																																				
1	2	3	4	5	6																																																																																
7	8	9	10	11	12																																																																																
13	14	15	16	17	18																																																																																
1	2	3	4	5	6	7	8	9	10																																																																												
11	12	13	14	15	16	17	18	19	20																																																																												
F87 (BLACK)																																																																																					
<table border="1"><tr><td>1</td><td>2</td><td>3</td><td>4</td><td>5</td><td>6</td><td>7</td><td>8</td><td>9</td><td>10</td><td>11</td><td>12</td><td>13</td><td>14</td><td>15</td><td>16</td><td>17</td><td>18</td><td>19</td><td>20</td><td>21</td><td>22</td><td>23</td><td>24</td><td>25</td><td>26</td><td>27</td><td>28</td></tr><tr><td>29</td><td>30</td><td>31</td><td>32</td><td>33</td><td>34</td><td>35</td><td>36</td><td>37</td><td>38</td><td>39</td><td>40</td><td>41</td><td>42</td><td>43</td><td>44</td><td>45</td><td>46</td><td>47</td><td>48</td><td>49</td><td>50</td><td>51</td><td>52</td><td>53</td><td>54</td><td>55</td><td></td></tr><tr><td>56</td><td>57</td><td>58</td><td>59</td><td>60</td><td>61</td><td>62</td><td>63</td><td>64</td><td>65</td><td>66</td><td>67</td><td>68</td><td>69</td><td>70</td><td>71</td><td>72</td><td>73</td><td>74</td><td>75</td><td>76</td><td>77</td><td>78</td><td>79</td><td>80</td><td>81</td><td>82</td><td>83</td><td></td></tr></table>	1	2	3	4	5	6	7	8	9	10	11	12	13	14	15	16	17	18	19	20	21	22	23	24	25	26	27	28	29	30	31	32	33	34	35	36	37	38	39	40	41	42	43	44	45	46	47	48	49	50	51	52	53	54	55		56	57	58	59	60	61	62	63	64	65	66	67	68	69	70	71	72	73	74	75	76	77	78	79	80	81	82	83	
1	2	3	4	5	6	7	8	9	10	11	12	13	14	15	16	17	18	19	20	21	22	23	24	25	26	27	28																																																										
29	30	31	32	33	34	35	36	37	38	39	40	41	42	43	44	45	46	47	48	49	50	51	52	53	54	55																																																											
56	57	58	59	60	61	62	63	64	65	66	67	68	69	70	71	72	73	74	75	76	77	78	79	80	81	82	83																																																										

CRUISE CONTROL SYSTEM

Wiring System

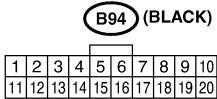
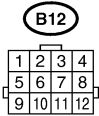
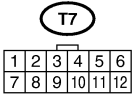
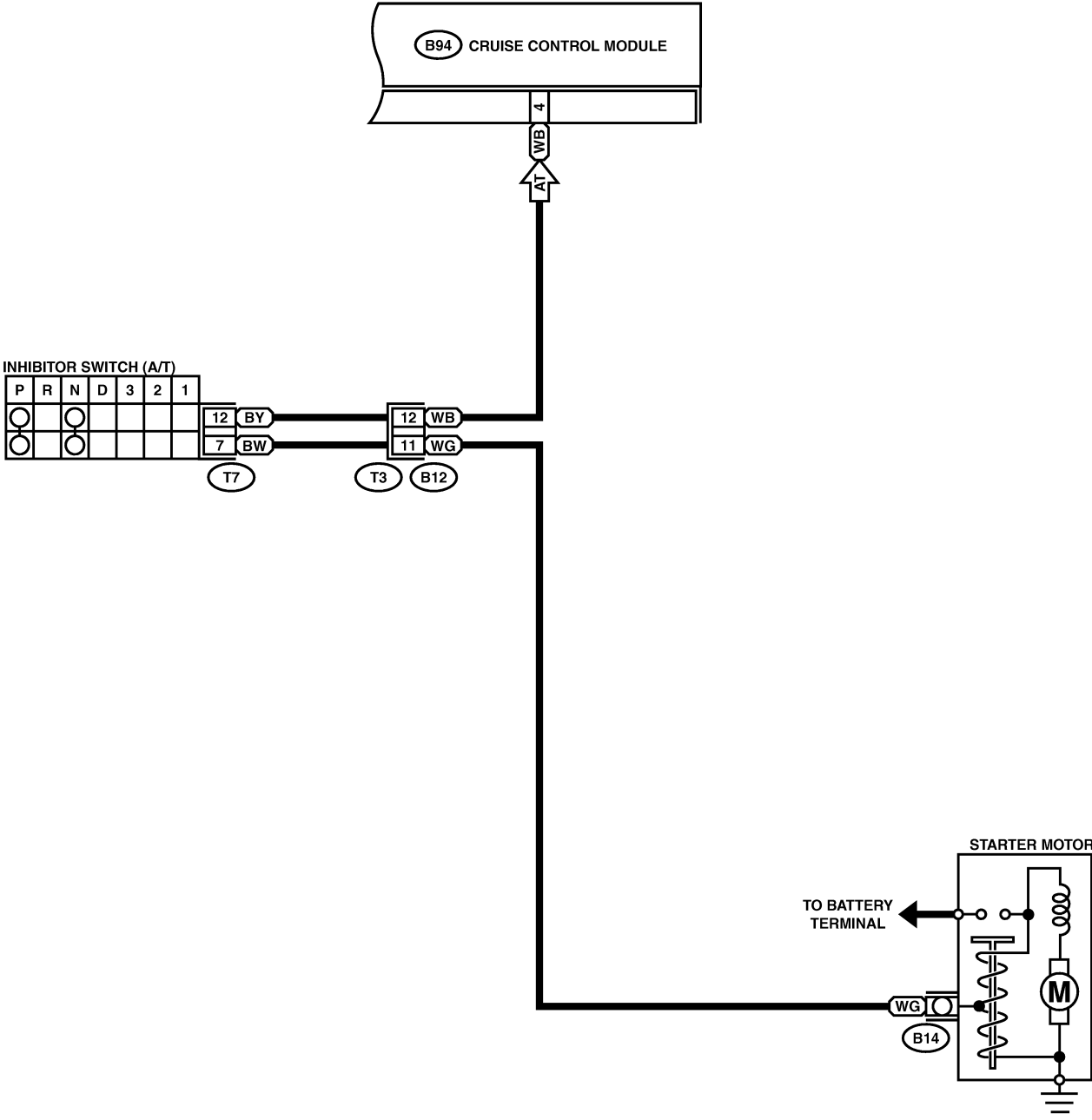


CRUISE CONTROL SYSTEM

Wiring System

C/C(RH4)-03

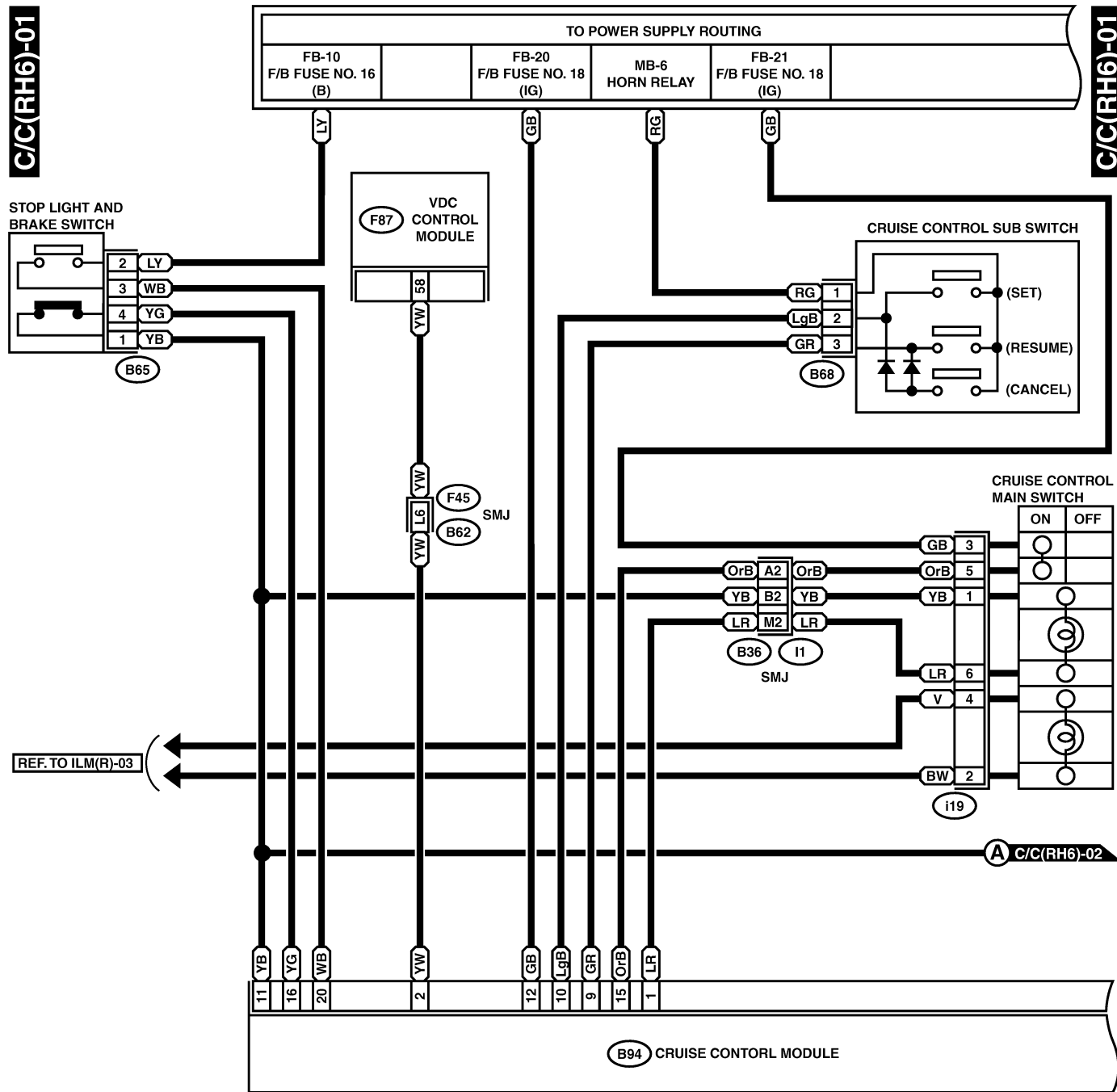
C/C(RH4)-03



CRUISE CONTROL SYSTEM

Wiring System

4. RHD-H6 MODEL S903495A2108



B65 (BLACK)



B68 (BLACK)



i19 (BROWN)



B94 (BLACK)

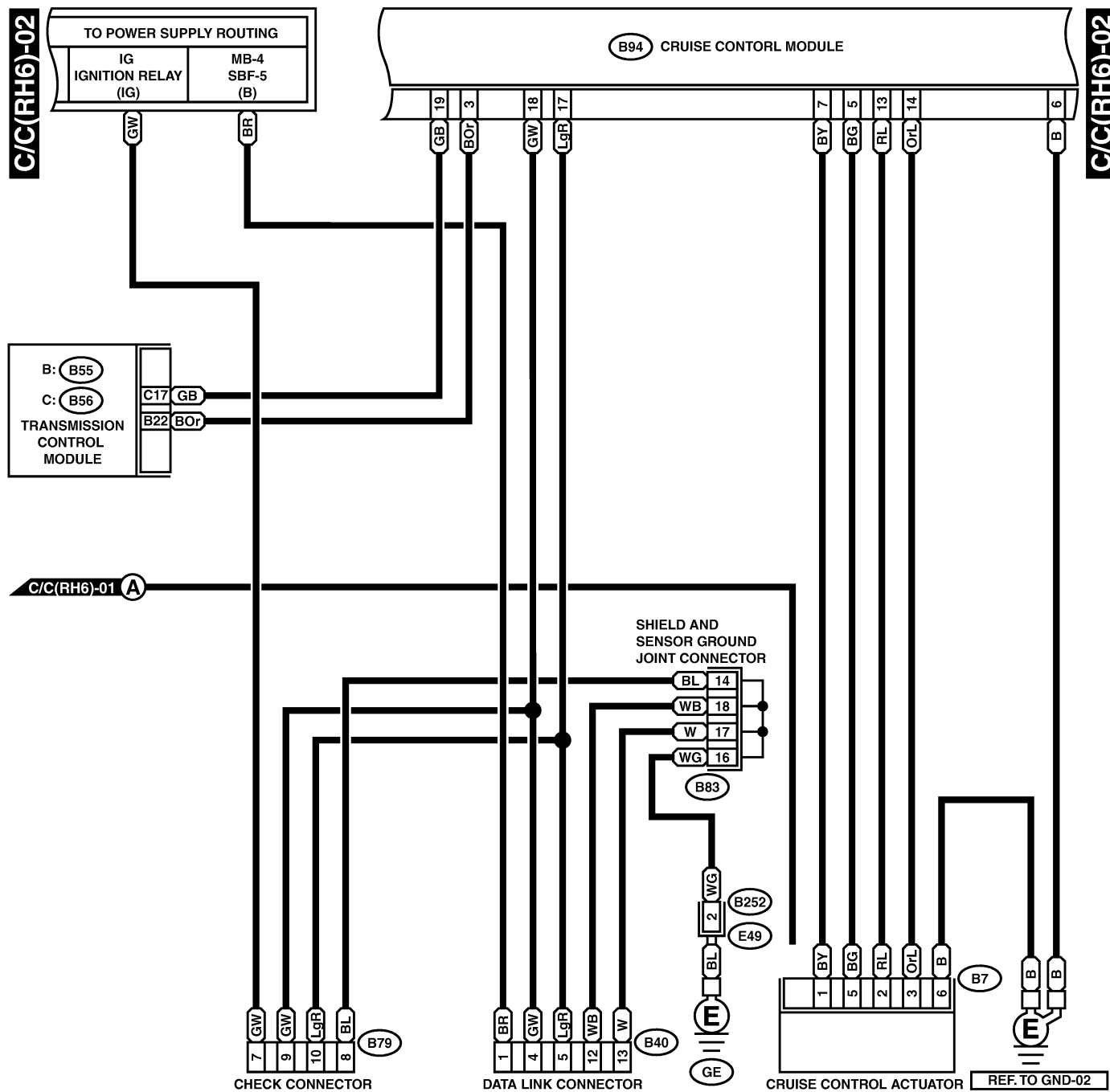


F87 (BLACK)

1	2	3	4	5	6	7	8	9	10	11	12	13	14	15	16	17	18	19	20	21	22	23	24	25	26	27	28
29	30	31	32	33	34	35	36	37	38	39	40	41	42	43	44	45	46	47	48	49	50	51	52	53	54	55	
56	57	58	59	60	61	62	63	64	65	66	67	68	69	70	71	72	73	74	75	76	77	78	79	80	81	82	83

CRUISE CONTROL SYSTEM

Wiring System



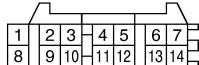
B7 (BLACK)



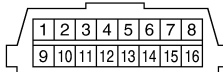
B252 (DARK GRAY)



B79 (GRAY)



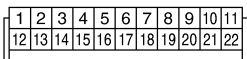
B40 (GRAY)



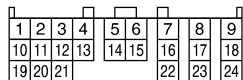
B94 (BLACK)



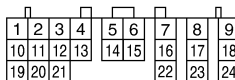
B83



B: B55 (GRAY)



C: B56 (GREEN)

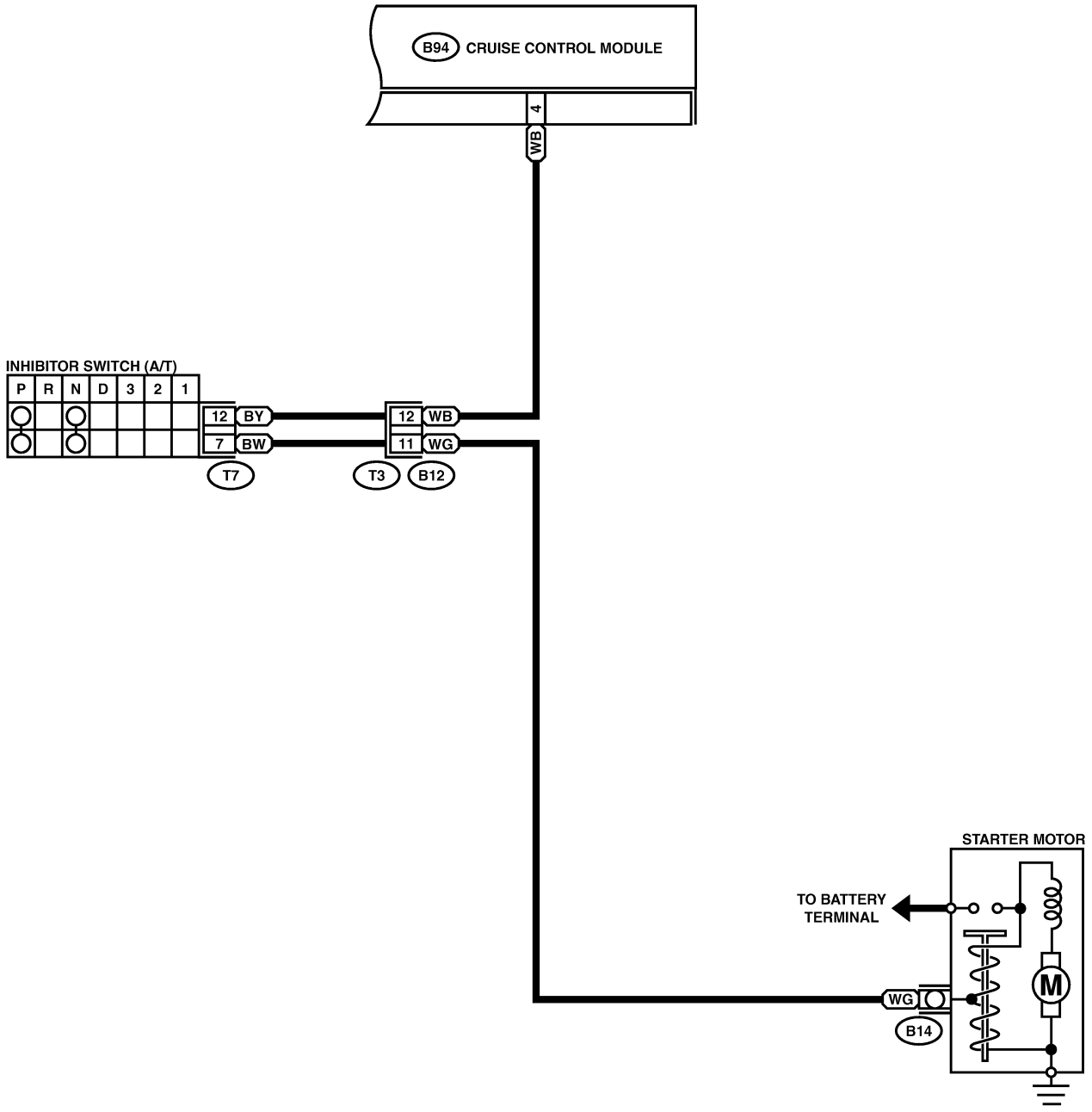


CRUISE CONTROL SYSTEM

Wiring System

C/C(RH6)-03

C/C(RH6)-03



T7

1	2	3	4	5	6
7	8	9	10	11	12

B12

1	2	3	4
5	6	7	8
9	10	11	12

B94 (BLACK)

1	2	3	4	5	6	7	8	9	10
11	12	13	14	15	16	17	18	19	20